

STELLAR Switchable Floodlights

Wattage Adjustable

Model	Wattage	VEET	Lumens	Colour (CCT)	Warranty
LPSSF80-150	80 110 150	TBA	12,000 16,500 22,500	4,000k	5 years
LPSSF200-300	200 240 300	TBA	30,000 36,000 45,000	4,000k	5 years



Features & Benefits

- Ultra thin and durable design
- Excellent heat dispensation
- Wattage adjustable
- 1.4m flex cable prewired
- IP66 rated
- Extruded Aluminum body
- 60,000 run life hours
- 10kVa surge protection
- 5 year warranty
- SMD chip set
- Available in 2 different wattage groups
- Excellent directional floodlighting



Technical Specifications

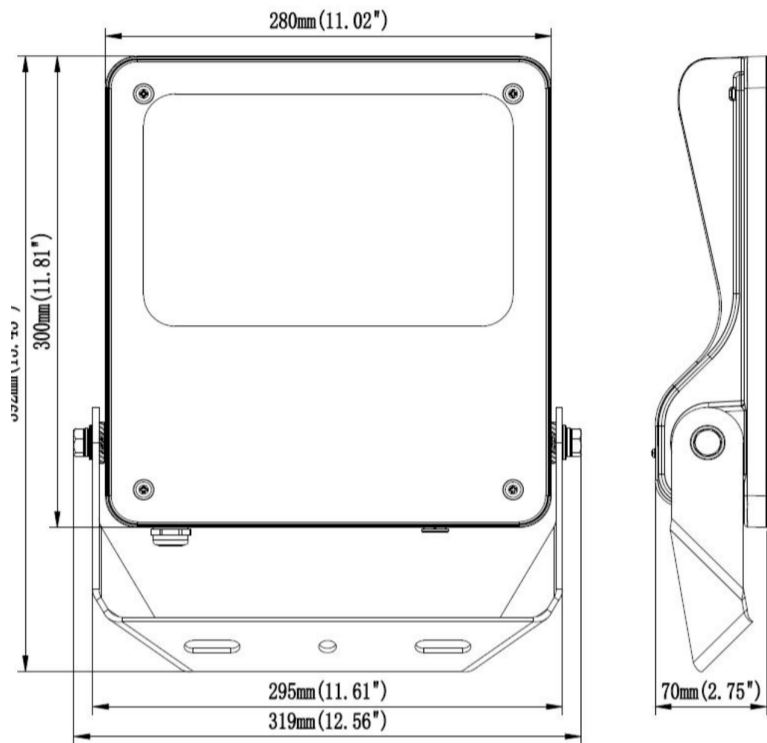


Voltage AC220 - 240V	Wattage Mixed (See above)	Power Factor >0.95	Beam Angle 110°	Colour 4,000K	Life Cycle 60,000+
IP Rating IP66	VEET/ESS/REES TBC	CRI >75	Diffused No	Dimmable No	Heat Rating -30°C to +48°C

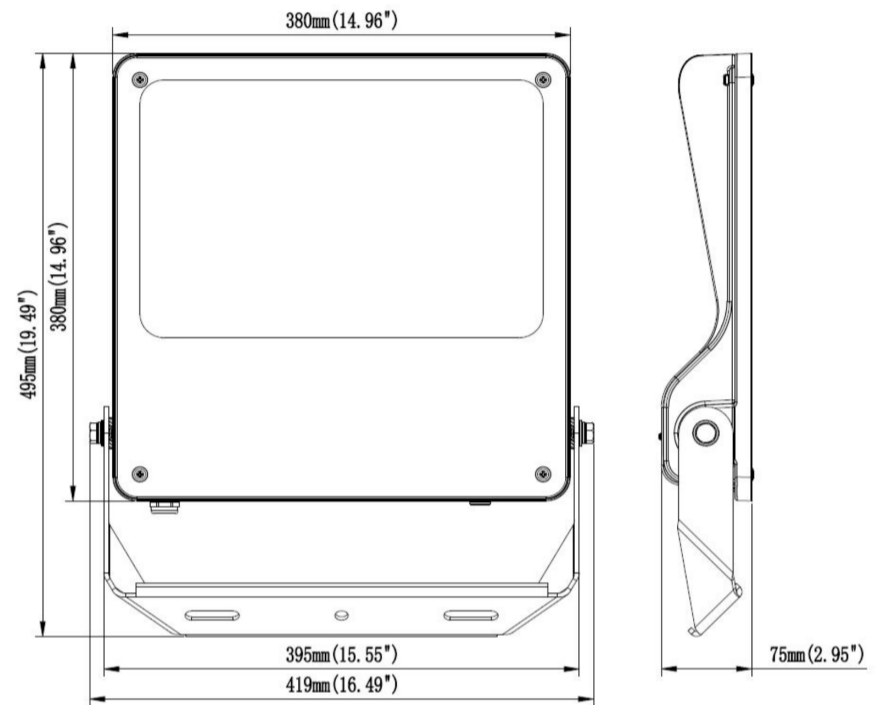
* Please Note: Limited or no stock available. Please call to confirm ETA.

STELLAR Switchable Floodlights

Dimensions & Weights



80 - 150W - 4.5kg's



200 - 300W - 7.1kg's

