

# THOR Switchable - MINI Area Floodlight - High Lumens



Model	Wattage	VEET	IPART	Lumens	Colour	Warranty
LPTSFM30-70	30   40   50   70	TBA	TBA	5,580   7,630   8,960   12,300 lm	4,000k	5 Years *



## Features & Benefits

- Ultra slim & light weight
- Switchable fitting covering wattages 30 / 40 / 50 / 70w
- 10kVa surge protection
- Motion sensor and PE Cell accessory available
- 170-185 lumen per watt
- Up to 90% Energy savings
- Easy to install
- 2 different mounting types - NOT Included
- IK10 Rated
- Anti-corrosive aluminum
- Excellent street lighting option
- 5 year warranty period
- Brackets NOT included
- Asymmetrical beam angle
- SAA Approved.
- IP66 Rated
- \* 7 Year warranty option

## Dimensions & Weight



Model	Fitting Length	Fitting Width	Spigot Connection	Net Weight
LPTSFM30-70	345mm	299mm	<b>MUST ORDER</b> - Spigot / Trunnion	4.40kg

## Technical Specifications

Voltage AC120-277V	Wattage 30 / 40 / 50 / 70w	Power Factor >0.95	Beam Angle ASym	Colour 4,000k	Life Cycle 56,000 Hrs
IP Rating IP66	VEET/ESS/REES TBA	CRI >75	Diffused Yes	Dimmable Yes - Standard	Heat Rating -30°c to +45°c

\* Please Note: Light Planet's warranty covers for defective products only. No incidentals like labor or hire cost shall be claimed from any party. Please read our T&C for further information.

# THOR Switchable - MINI Area Floodlight - High Lumens

## Mount Types & Fittings Dimensions

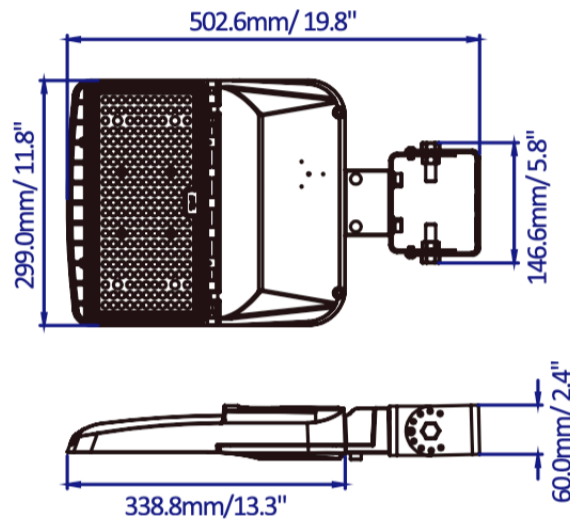
PART NO: LPSAFS

Adjustable Spigot Bracket



Spigot Opening Max: 60mm  
Bracket length: 185mm

30 - 70w



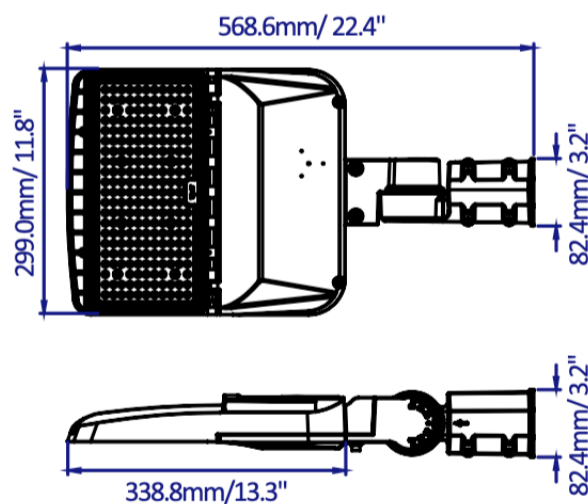
Net Weight: 4.4kgs/9.7Lbs

PART NO: LPSAFTM

Adjustable Trunnion Mount



Bracket Width: 134mm  
Bracket length: 135mm



Net Weight: 4.6kgs/10.1Lbs

\* Please Note: Light Planet's warranty covers for defective products only. No incidentals like labor or hire cost shall be claimed from any party. Please read our T&C for further information.