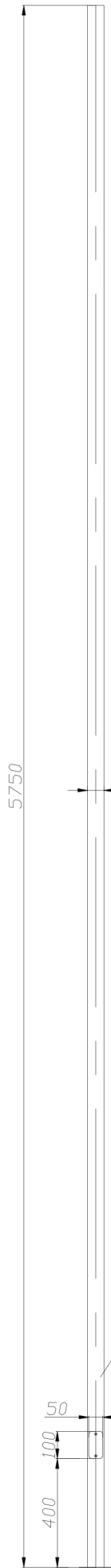
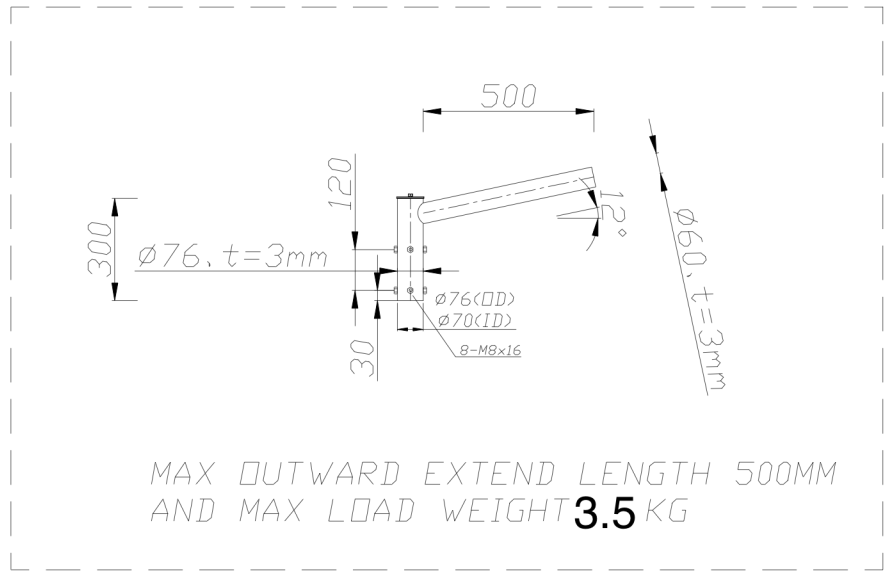


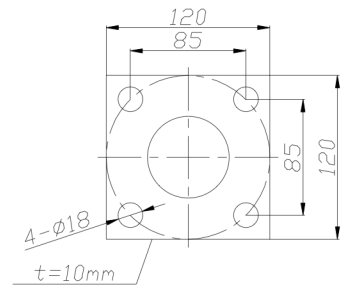
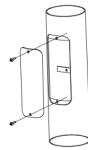
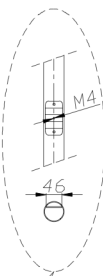
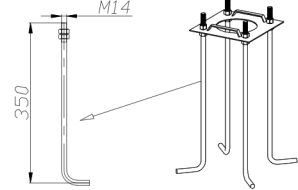
MAX VERTICAL WEIGHT: 6KG



TOTAL WEIGHT  
OF POLE: 22 KG



ANCHOR BOLTS  
4PCS



TECHNICAL REQUIREMENTS:

1. ALL DIMENSIONS ARE IN MILLIMETER.
2. AFTER GALVANIZED SPRAY PLASTIC.
3. THICKNESS OF GALVANIZED  $\geq 85\mu\text{m}$ .

PRODUCT NAME	5.75M POLE		
DESIGN		MATERIAL	Q235
APPROVAL		QUANTITY	
	07.13.22	WEIGHT	