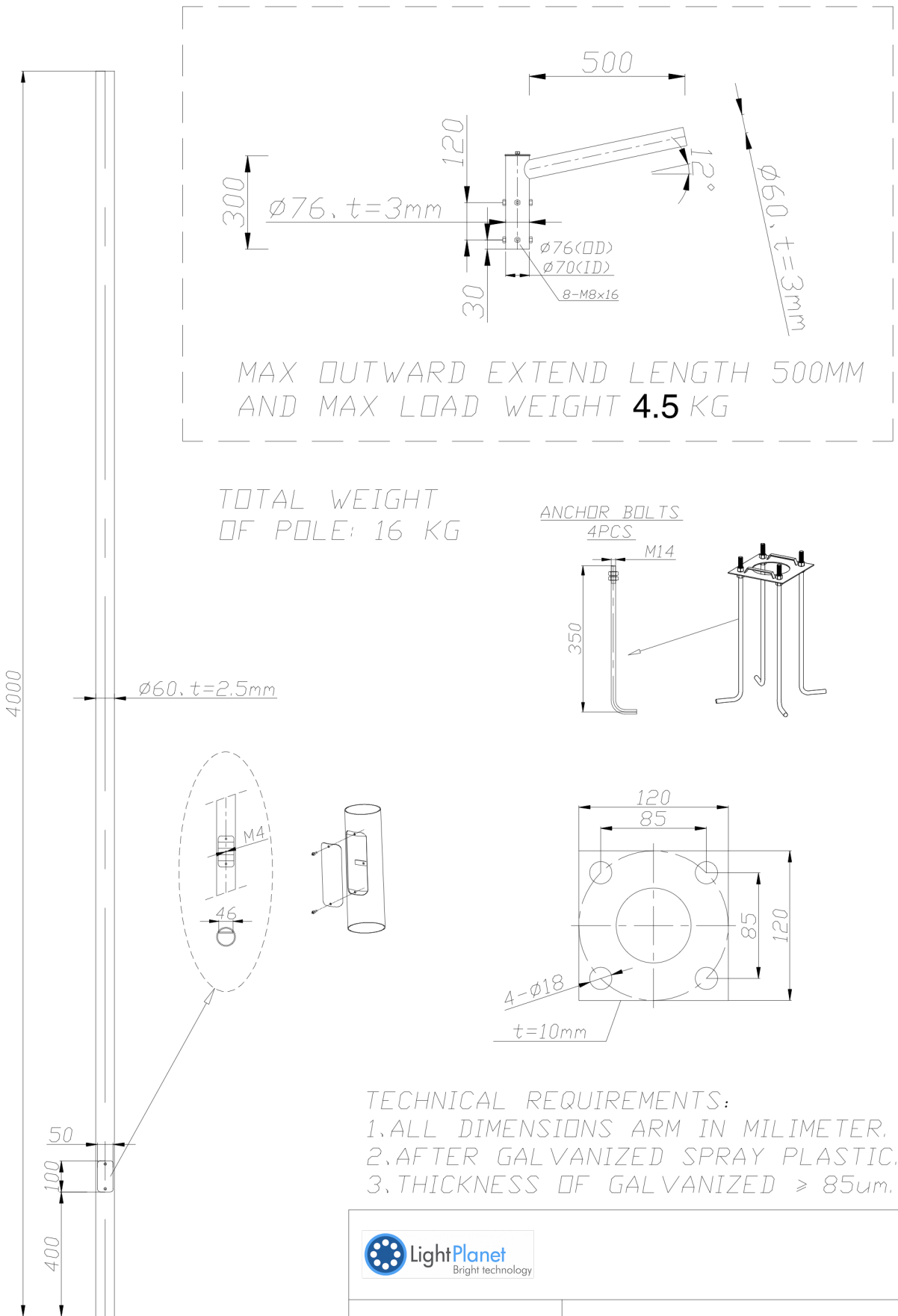


MAX VERTICAL WEIGHT: 8KG



TECHNICAL REQUIREMENTS:

1. ALL DIMENSIONS ARE IN MILLIMETER.
2. AFTER GALVANIZED SPRAY PLASTIC.
3. THICKNESS OF GALVANIZED  $\geq 85\mu\text{m}$ .

|              |          |          |      |
|--------------|----------|----------|------|
| PRODUCT NAME | 4M POLE  |          |      |
| DESIGN       |          | MATERIAL | Q235 |
| APPROVAL     |          | QUANTITY |      |
|              | 07.13.22 | WEIGHT   |      |