

Light Planet Product Catalogue

Solar Lights | Down Lights | High Bay Lights | Flood Lights

Batten Lights | Panel Lights | Shop Lights | Street Lights

Work Lights | Sports Stadium Lights

About Us



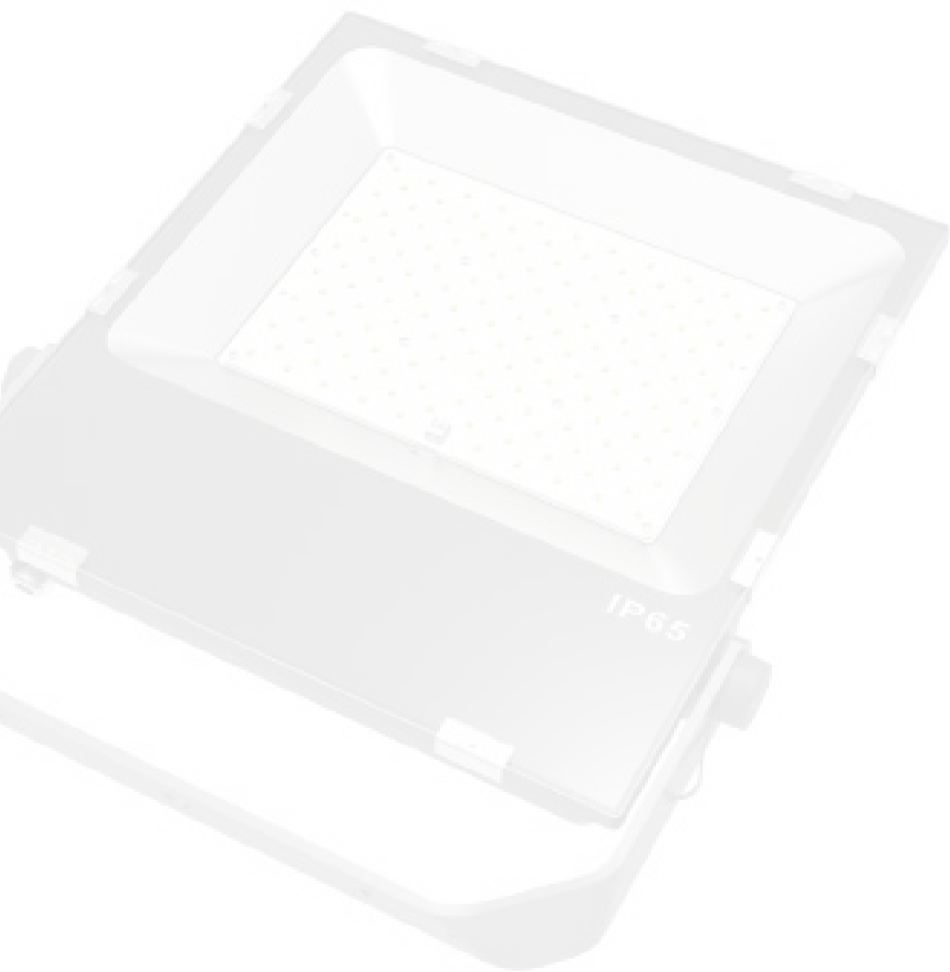
Light Planet — A global LED lighting & electrical wholesale supplier, now direct to contractors!

At Light Planet we specialise in all things lighting & now electrical, whether it is tube lights, panel lights, flood lights, high bay lights, switching, electrical cable or poles, we have the right solution for you and your projects.

Our close working relationships with some of the best global manufacturers, ensures that we can offer our customers the most innovative and high-performance lighting and electrical technology available today, and all at very competitive pricing.

For over 5 years Light Planet have sold via the electrical wholesalers channel essentially allowing them, as middle men to govern what products and projects opportunities they will share with us. Light Planet has now made the decision to skip the middle man and support our customers, the contractors.

Not just another lighting company — We offer qualified lighting experts to help with lighting designs and installation queries you or your clients may have. We provide professional, onsite assistance to ensure the right products are specified for the job.



Light Planet products can be found throughout several hundreds of sites located around Australia.

Retail outlets, large distribution centers, mines, airports, dockyards, sporting fields and offices, Light Planet offer market leading products to suit.

Below we have listed a few projects that Light Planet products have been selected and installed within.

Light Planet works tirelessly with their contractors to ensure that they have the best chance to win their projects.

Light Planet's knowledge of LED lighting and electrical products and their professional onsite assistance are second to none, offering their customers assurance and piece of mind when it comes to selecting the right products for the job.



Etihad Stadium

Light Planet's TITAN LED High Bays were put to the test and came out on top. They were shortlisted from a number of market leading high bays and were selected for the upgrade of the common areas throughout the stadium.

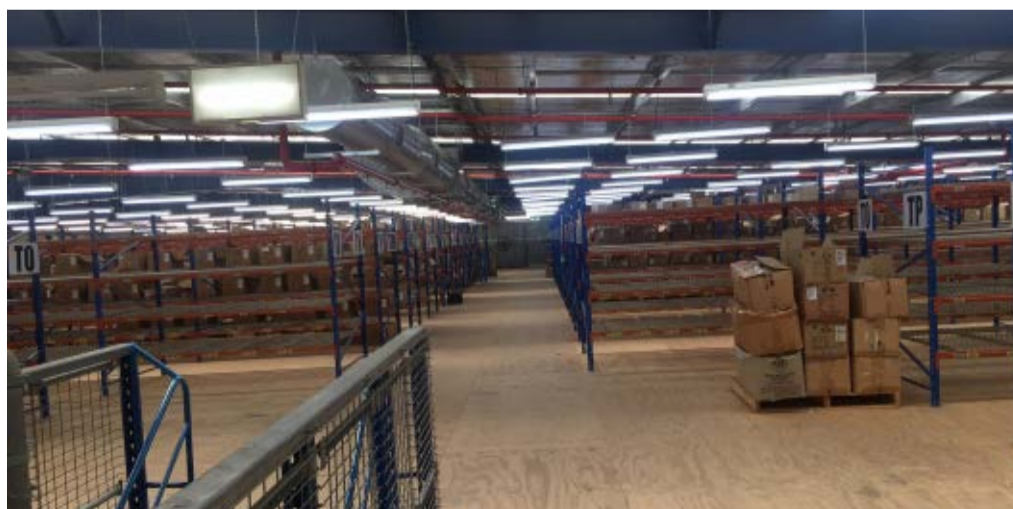
There were approximately 170 x 100w TITAN units supplied and installed and now fully operational.



Just Jeans

Light Planet's PHOENIX LED High Bays were put to the test yet again and came out on top. They were selected for the entire upgrade of the Just Jean warehouse.

There were approximately 76 x 110w PHOENIX - MS units supplied and installed offering significant power savings.




Fashion Biz

Both Light Planet's TITAN LED High Bays and 18w LED Tubes were selected for the entire upgrade of the massive Fashion Biz warehouses and offices.





Approximately 230 x 130w TITAN units and 550 x 18w LED Tubes supplied and installed throughout the facility offering significant power savings.

Contents

LIGHTING PRODUCTS

| | | | |
|---|---|--|---|
|  <p>3-4 Panel Lights</p> |  <p>5 Tube Lights</p> |  <p>6-11 High Bay Lights</p> |  <p>12 Canopy Lights</p> |
|  <p>13-22 Floodlights</p> |  <p>23-29 Streetlights</p> |  <p>30-34 IP20 Solar Lights</p> |  <p>35-36 IP20 Batten Lights</p> |
|  <p>37 IP65 Batten Light</p> |  <p>38-42 Architectural Lights</p> |  <p>43-46 Ceiling Lights</p> |  <p>47-49 Emergency Lights</p> |

OTHER PRODUCTS

| | | | |
|---|--|--|--|
|  <p>50 Poles</p> |  <p>51-54 Work Lights</p> | COMING SOON  <p>28-29 Cable</p> | COMING SOON  <p>28-29 Accessories</p> |
|---|--|--|--|

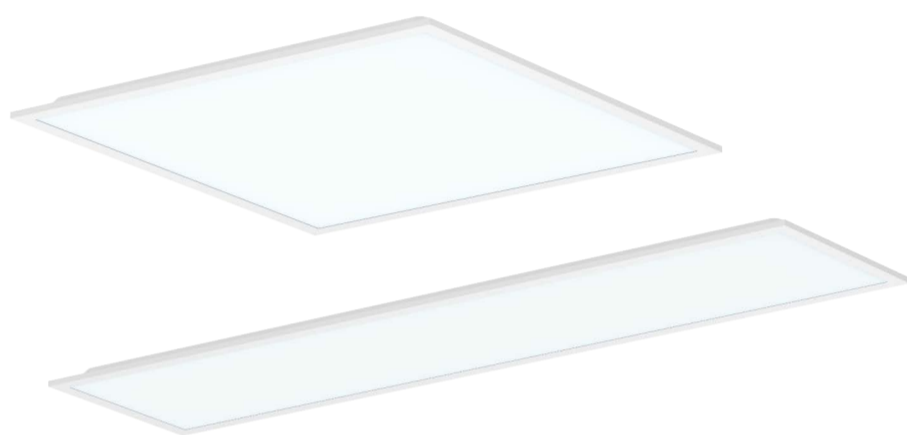
NOVA TRI Panel Lights



16 & 28w Back-lit LED Panel - Tri colour

| Model | Wattage | VEET | IPART | Lumens | Colour | Warranty |
|---------|---------|------|-------|--------|--------------------|----------|
| LPNP12T | 28 | YES | YES | 3,100 | TRI - 3 / 4 / 5.7k | 5 years |
| LPNP6T | 28 | YES | YES | 3,100 | TRI - 3 / 4 / 5.7k | 5 years |
| LPNP3T | 16 | NO | NO | 1,600 | TRI - 3 / 4 / 5.7k | 5 years |

5 Year Warranty



Features & Benefits

- Back-lit LED Panel Light
- TRI-Colour: 3 / 4 / 5.7k
- Very light weight
- Up to 80% Energy savings
- Easy to install
- VEET / IPART Approved*
- Backed by a 5 year warranty period
- SAA Approved
- NO Discoloring
- Plug top fitted
- Dimmable & DALI options available
- 110+/- lumens per watt
- 60,000 life hour - Tm21



Dimensions & Weight



| Model | A | B | C | Net Weight |
|---------|--------|-------|------|------------|
| LPNP12T | 1195mm | 295mm | 30mm | 1.72kg |
| LPNP6T | 595mm | 595mm | 30mm | 1.72kg |
| LPNP3T | 595mm | 295mm | 30mm | 0.84kg |

Technical Specifications

| | | | | | |
|---------------------------------|------------------------------------|----------------------|--------------------|------------------------------|-------------------------------|
| Voltage AC200-240V | Wattage 16w / 28w | Power Factor >0.9 | Beam Angle 120° | Colour TRI 3 / 4 / 5.7k | Life Cycle 60,000 Hrs |
| IP Rating IP40 - Panel Front | VEET/ESS/REES YES - Excludes 3T | CRI >80 | Diffused Yes | Dimmable/DALI No - Option | Heat Rating -20°c to +45°c |

NOVA Panel Light

28w Back-lit LED Panel - MINI

| Model | Wattage | VEET | IPART | Lumens | Colour | Warranty |
|---------|---------|------|-------|--------|--------|----------|
| LPNP34k | 16 | No | No | 1,680 | 4,000k | 5 years |
| LPNP36k | 16 | No | No | 1,680 | 6,000k | 5 years |

5 Year Warranty



Features & Benefits

- Back-lit LED Panel Light available.
- Very light weight
- Up to 80% Energy savings
- Easy to install
- VEET / IPART Pending
- Backed by a 5 year warranty period
- SAA Approved.
- NO Discoloring
- Plug top fitted
- Dimmable & DALI options
- 110 Lumens per watt



Dimensions & Weight



| Model | A | B | C | Net Weight |
|---------|-------|-------|------|------------|
| LPNP34k | 595mm | 295mm | 30mm | 0.8kg |
| LPNP36k | 595mm | 295mm | 30mm | 0.8kg |

Technical Specifications

| | | | | | |
|-----------------------|----------------------|----------------------|--------------------|------------------------------|-------------------------------|
| Voltage AC200-240V | Wattage 16w | Power Factor >0.9 | Beam Angle 120° | Colour 4,000k - 6,000k | Life Cycle 56,000 Hrs |
| IP Rating IP20 | VEET/ESS/REES TBA | CRI >80 | Diffused Yes | Dimmable/DALI No - Option | Heat Rating -20°c to +45°c |

* Please Note: Limited or no stock available. Please call to confirm ETA.

High Quality T8 LED Tube

Rebated Item

| Model | Wattage | VEET | Lumens | Colour | Warranty |
|---------|---------|----------|---------------|--------|----------|
| LP19889 | 18 | Approved | 1,840 Frosted | 4,000k | 5 years |
| LP19888 | 18 | Approved | 1,880 Frosted | 6,000k | 5 years |



Features & Benefits

- This LED tube adopts an LM-80 2835 SMD LED with great brightness.
- Complete with a 0.8mm thickness AL6063 aluminum heat-sink.
- VO fire-rated PC frosted cover.
- High quality isolated driver & capacitor ensuring excellent working performance.
- Backed by a 5 year warranty period.
- SAA Approved.
- VEET Approved.

Dimensions & Weight

| Model | A | B | C | D | Net Weight |
|---------|--------|--------|--------|--------|------------|
| LP19889 | 1214mm | 1198mm | 28.5mm | 32.2mm | 0.31kg |
| LP19888 | 1214mm | 1198mm | 28.5mm | 32.2mm | 0.32kg |

Technical Specifications

| | | | | | |
|----------------------|--------------------|----------------------|--------------------|---------------------------|-------------------------------|
| Voltage AC90-267V | Wattage 18w | Power Factor >0.9 | Beam Angle 120° | Colour 4,000k - 6,000k | Life Cycle 50,000 Hrs |
| IP Rating IP20 | VEET/ESS Yes/No | CRI >80 | Diffused Yes | Dimmable No | Heat Rating -20°C to +40°C |

ODIN LED High Bay



Quad Wattage - High Lumen - Dimmable - Long Warranty

| Model | Wattage | VEET | IPART | Lumens | Colour | Warranty |
|-----------|----------------------|---------|---------|-----------------------------------|--------|----------|
| LPOHB | 80 / 105 / 120 / 132 | Pending | Pending | 15,000 / 19,200 / 21,600 / 23,830 | 5,000k | 5 years |
| LPOHB180W | 180 (Fixed) | Pending | Pending | 32,600 | 5,000k | 5 years |

184 + L/pw



Features & Benefits

- Quad wattage in one unit - Selected via a dip switch
- Patented extruded Alloy lamp body
- In-built 4kV Surge Protection
- 1.2m lead with plug top included.
- Easy to install with O hook. Fixing bracket optional.
- Upto 182 LM/W
- 5 year Warranty
- Dimmable as standard - 1 to 10v.
- Extra long life time expectancy with an extremely low case temperature.
- VEET & IPART pending.
- Quick-fix motion sensor options available - Installation takes 10 seconds.
- Trunnion mount available
- TM21 - L70 = 56,000 hours
- Lumiled Chip Package



Quick-Fit Motion Sensor
Screws into place in 10 Seconds

WATTAGE SWITCHING

| ON | ON | ON | ON |
|------------|-------------|-------------|-------------|
| 1 2 | 1 2 | 1 2 | 1 2 |
| 80W | 105W | 120W | 132W |
| 14,400lm | 18,900lm | 21,600lm | 23,800lm |

Dimensions & Weight



| Model | Width | Height | Net Weight |
|-----------|-------|--------|------------|
| LPOHB | 310mm | 163mm | 6.1kg |
| LPOHB180w | 350mm | 175mm | 8.1kg |

Technical Specifications



| | | | | |
|-----------------------|--|---|----------------------------|---------------------------------|
| Voltage AC120/277V | Wattage 80w / 105w / 120w / 132w / *180 | Beam Angle 120° | Colour 5,000k | Life Cycle 56,000+ Hrs |
| IP Rating IP65 | VEET/ESS/REES Pending | Accessories M-Sensor / PE Cell/Bracket | Dimmable Yes - Standard | Ideal Op Temp -30°C to +50°C |

* Please Note: Limited or no stock available. Please call to confirm ETA.

ODIN High Bays

Quad Wattage - High Lumen - Dimmable - Long Warranty

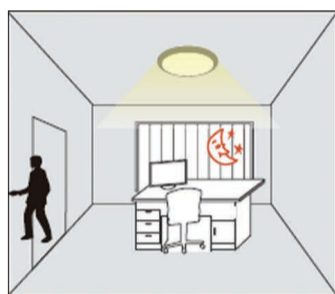
Step-Dimming Function - Motion Sensor

The motion sensor accessories can be simply fitted within 10 seconds by screwing in the unit into place. Once installed the units can be customized to suit an individual sites preferences, with sensitivity, hold time and brightness. Please review the technical specs below or instruction manual for further details.

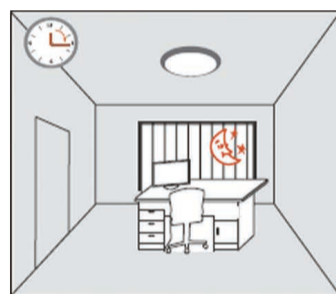
*Please note, factory settings can all be overwritten and controled by a remote control - Not Inc



When movement is detected, the fitting will turn on and stay on for the selected period of time allocated via the remote control. RC unit is sold separately.



Once the step 1 function has run, the fitting will drop to the selected brightness for the selected period of time subject to no further movement.



After the step 2 function has run and subject to no further movement, the fitting will either hold the selected brightness or turn off if selected.



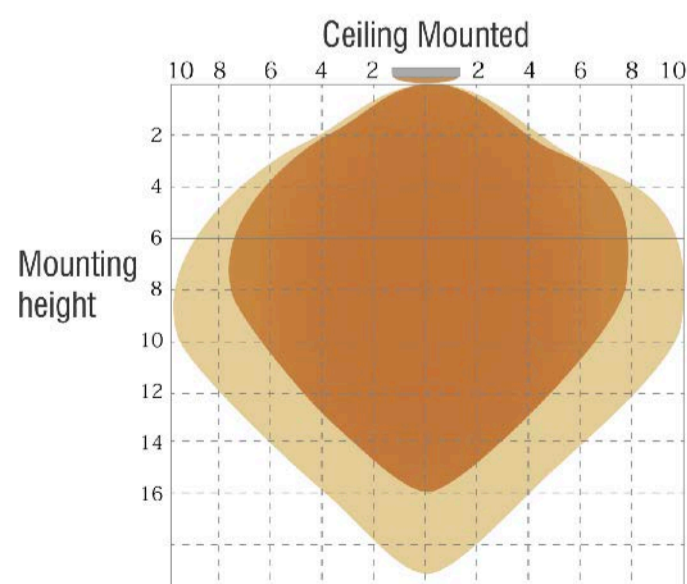
Motion Sensor simply screws into place in under 10 seconds
(Sold Separately)
Part No: LPUMS

Motion Sensor Remote Control
(Sold Separately)
Part No: LPUMSRC



Motion Sensor - Technical Specs

| | |
|------------------------|---|
| Operating voltage | 10-15V DC |
| Operating current | 30mA±5% |
| Output | DIM 1-10V |
| Standby power | <0.5W |
| Detection area | 25%/50%/75%/100% |
| Hold-time | 5s/30s/1min/3min/5min/10min/20min/30min |
| Daylight threshold | 2Lux/10Lux/50Lux/Disable |
| Stand-by period | 0s/10s/30s/1min/5min/10min/30min/+∞ |
| Stand-by dimming level | 10%/20%/30%/50% |
| Microwave power | <0.3mW |
| Microwave frequency | 5.8GHz±75MHz |
| Microwave power | <0.3mW |
| Detection angle | 30-150° |
| Control line | Ret 12V; Black GND; White -; Yellow + |
| Mounting height | Max.15m(ceiling mounted) |
| Detection range | Max.12x15m(ceiling mounted) Max.20m(wall mounted) |



PHOENIX High Bay Lights



High lumen - Dimmable - Long warranty - Cost effective

| Model | Wattage | VEET | IPART | Lumens | Colour | Warranty |
|------------|---------|----------|----------|--------|--------|----------|
| LPPHB80W | 80 | Approved | Approved | 13,160 | 5,000k | 5 years |
| LPPHB110W | 110 | Approved | Approved | 18,380 | 5,000k | 5 years |
| LPPHB140W | 140 | Approved | Approved | 24,560 | 5,000k | 5 years |
| *LPPHB180W | 180 | Approved | Approved | 29,600 | 5,000k | 5 years |



Quick-Fit Motion Sensor
Screws into place in 10 Seconds

Features & Benefits

- Patented extruded Alloy lamp body resulting in an extremely low case temperature.
- 1.2m lead with plug top included.
- Easy to install with O hook. Fixing bracket optional.
- Floating driver ensuring greater heat dispersion.
- Upto 170 LM/W
- 5 year Warranty
- Dimmable as standard - 1 to 10v.
- Extra long life time expectancy with an extremely low case temperature.
- VEET & IPART pending.
- Quick-fix motion sensor options available - Installation takes 10 seconds.
- TM21 - L70 = 60,000 hours
- Lumiled Chip Package



Dimensions & Weight

| Model | Width | Height | Net Weight |
|-----------|-------|--------|------------|
| LPPHB80W | 295mm | 178mm | 5.2kg |
| LPPHB110W | 295mm | 178mm | 5.2kg |
| LPPHB140W | 295mm | 179mm | 5.2kg |
| LPPHB180W | 329mm | 189mm | 6.1kg |

Technical Specifications

| | | | | |
|-----------------------|-------------------------------------|--|----------------------------|---------------------------------|
| Voltage AC100/240V | Wattage 80w / 110w / 140w / 180w | Beam Angle 120° / 60° | Colour 5,000k | Life Cycle 60,000+ Hrs |
| IP Rating IP66 | VEET/ESS/REES Pending | Accessories Motion Sensor / PE Cell | Dimmable Yes - Standard | Ideal Op Temp -35°C to +50°C |

* Please Note: Limited or no stock available. Please call to confirm ETA.

PHOENIX High Bay Lights

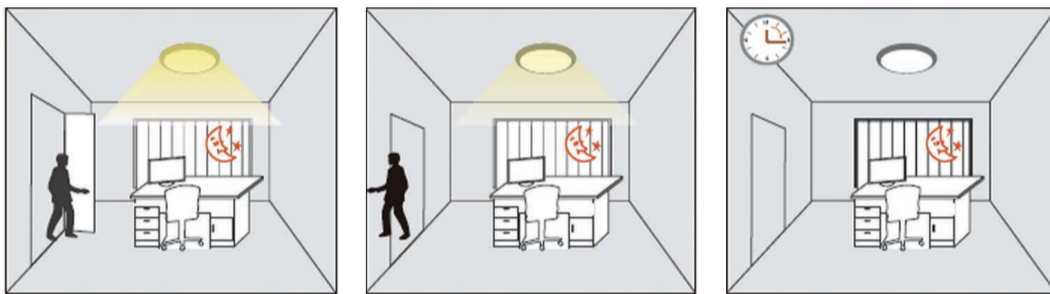


High lumen - Dimmable - Long warranty - Cost effective

Step-Dimming Function - Motion Sensor

The motion sensor accessories can be simply fitted within 10 seconds by screwing in the unit into place. Once installed the units can be customized to suit an individual sites preferences, with sensitivity, hold time and brightness. Please review the technical specs below or instruction manual for further details.

*Please note, factory settings can all be overwritten and controlled by a remote control - Not Inc



When movement is detected, the fitting will turn on and stay on for the selected period of time allocated via the remote control. RC unit is sold separately.

Once the step 1 function has run, the fitting will drop to the selected brightness for the selected period of time subject to no further movement.

After the step 2 function has run and subject to no further movement, the fitting will either hold the selected brightness or turn off if selected.



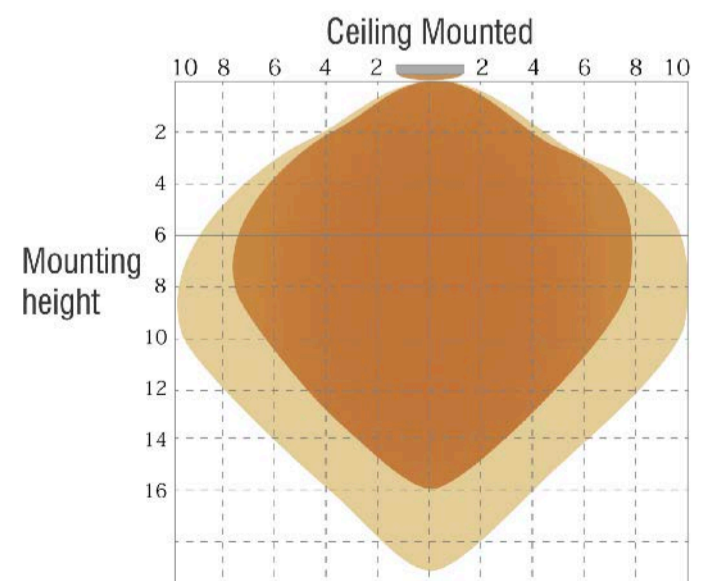
Motion Sensor simply screws into place in under 10 seconds
(Sold Separately)
Part No: LPUMS

Motion Sensor Remote Control
(Sold Separately)
Part No: LPUMSRC



Motion Sensor - Technical Specs

| | |
|------------------------|---|
| Operating voltage | 10-15V DC |
| Operating current | 30mA±5% |
| Output | DIM 1-10V |
| Standby power | <0.5W |
| Detection area | 25%/50%/75%/100% |
| Hold-time | 5s/30s/1min/3min/5min/10min/20min/30min |
| Daylight threshold | 2Lux/10Lux/50Lux/Disable |
| Stand-by period | 0s/10s/30s/1min/5min/10min/30min/+∞ |
| Stand-by dimming level | 10%/20%/30%/50% |
| Microwave power | <0.3mW |
| Microwave frequency | 5.8GHz±75MHz |
| Microwave power | <0.3mW |
| Detection angle | 30-150° |
| Control line | Ret 12V; Black GND; White -; Yellow + |
| Mounting height | Max.15m(ceiling mounted) |
| Detection range | Max.12x15m(ceiling mounted) Max.20m(wall mounted) |



ASTRA High Bay Light



Very Cost Effective - Long Warranty

| Wattage | VEET | IPART | Lumens | Colour | Warranty |
|-----------|------|-------|--------|--------|----------|
| LPAHB120w | NO | NO | 18,200 | 5,000k | 5 years |



Features & Benefits

- Patented extruded Alloy lamp body resulting in an low case temperature.
- 1.2m lead with plug top included.
- Easy to install with O hook. Fixing bracket optional.
- Upto 140 LM/W
- 5 year Warranty
- Dimmable as standard - 1 to 10v.
- Quick-fix motion sensor options available - Installation takes 10 seconds.
- TM21 - L70 = 56,000 hours
- Lumiled Chip Package



Quick-Fit Motion Sensor
Screws into place in 10 Seconds



Dimensions & Weight

| Model | Width | Height | Net Weight |
|-----------|-------|--------|------------|
| LPAHB120w | 340mm | 140mm | 3.2kg |

Technical Specifications

| | | | | |
|-----------------------|---------------------|---------------------------------------|----------------------------|-------------------------------|
| Voltage AC100/240V | Wattage 120w | Beam Angle 120° | Colour 5,000k | Life Cycle 56,000 Hrs |
| IP Rating IP66 | VEET/ESS/REES NO | Accessories Motion Sensor - Option | Dimmable Yes - Standard | Heat Rating -20°C to +45°C |

* Please Note: Light Planet's warranty covers for defective products only. No incidentals like labor or hire cost shall be claimed from any party. Please read our T&C for further information.

ASTRA LED High Bay

Very Cost Effective - Long warranty

Step-Dimming Function - Motion Sensor

The in-built motion sensor unit activates on detection. All units are calibrated to automatically stay on for 5 minutes at 100% brightness, then drop to 30% brightness for 1 minute, then turning off completely.



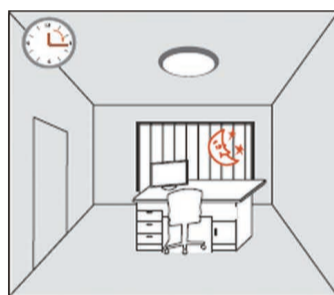
*Please note, factory settings can all be overwritten and controlled by a remote control - Not Inc



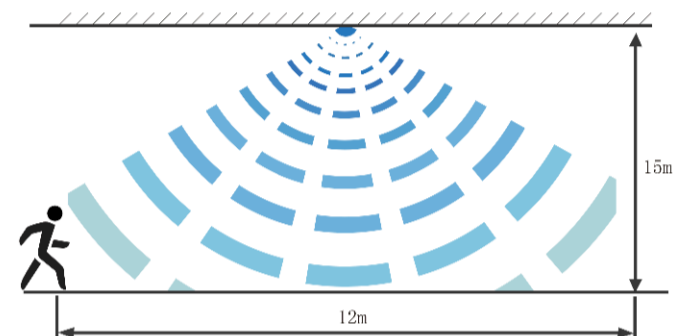
When movement is detected, the high bay unit will turn on and stay on for a period of 5 mins subject to no further movement.



Once the step 1 function has run, the unit will drop to 30% brightness for a period of 1 min subject to no further movement.



After the step 2 function has run and subject to no further movement, the unit will turn off completely.



| | |
|------------------------|---|
| Operating voltage | 10-15V DC |
| Operating current | 30mA ±5% |
| Output | DIM 1-10V |
| Standby power | <0.5W |
| Detection area | 25%/50%/75%/100% |
| Hold-time | 5s/30s/1min/3min/5min/10min/20min/30min |
| Daylight threshold | 2Lux/10Lux/50Lux/Disable |
| Stand-by period | 0s/10s/30s/1min/5min/10min/30min/ +∞ |
| Stand-by dimming level | 10%/20%/30%/50% |
| Microwave power | <0.3mW |
| Microwave frequency | 5.8GHz ±75MHz |
| Microwave power | <0.3mW |
| Detection angle | 30-150° |
| Control line | Ret 12V; Black GND; White -; Yellow + |
| Mounting height | Max.15m(ceiling mounted) |
| Detection range | Max.12x15m(ceiling mounted) Max.20m(wall mounted) |
| Operating temperature | -20°C ~ +60°C |
| IP rating | IP65 |

VEGA LED High Bays



High lumen - Long warranty - Cost effective

| Model | Wattage | VEET | IPART | Lumens | Colour | Warranty |
|-----------|---------|------|-------|--------|--------|----------|
| *LPVHB100 | 100 | TBA | TBA | 15,000 | 5,000k | 5 years |
| *LPVHB150 | 150 | TBA | TBA | 21,200 | 5,000k | 5 years |
| *LPVHB200 | 200 | TBA | TBA | 30,400 | 5,000k | 5 years |
| *LPVHB240 | 240 | TBA | TBA | 34,800 | 5,000k | 5 years |



Features & Benefits

- Ultra slim light weight
- 150 lumen per watt
- Up to 80% Energy savings
- 1.2m long power lead with plug top
- Semi diffused lens
- Motion sensor option
- SAA Approved
- Backed by a 5 year warranty period
- Excellent heat dispensation
- Offers a great uniformity of light

150 Lumens per watt

Dimensions & Weight

| Model | Length | Width | Depth | Net Weight |
|----------|---------|-------|-------|------------|
| LPVHB100 | 578mm | 198mm | 70mm | 2.5kg |
| LPVHB150 | 864mm | 198mm | 70mm | 2.9kg |
| LPVHB200 | 1,150mm | 198mm | 70mm | 3.3kg |
| LPVHB240 | 1,436mm | 198mm | 70mm | 3.7kg |

Technical Specifications

| | | | | | |
|-----------------------|----------------------|-----------------------|-------------------|-------------------------|-------------------------------|
| Voltage AC100-240V | Wattage Mixed | Power Factor >0.95 | Beam Angle 90° | Colour 5,000k | Life Cycle 54,000 Hrs |
| IP Rating IP54 | VEET/ESS/REES TBA | CRI >80 | Diffused Yes | Dimmable No - Option | Heat Rating -25°c to +45°c |

* Please Note: Limited or no stock available. Please call to confirm ETA.

VEGA LED High Bays

High lumen - Dimmable - Long warranty - Cost effective

Step-Dimming Function - Motion Sensor

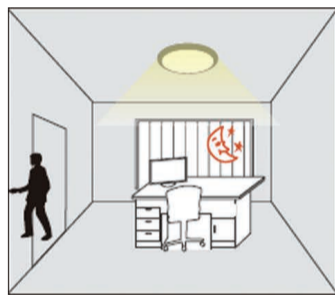
The in-built motion sensor unit activates on detection. All units are calibrated to automatically stay on for 5 minutes at 100% brightness, then drop to 30% brightness for 1 minute, then turning off completely.



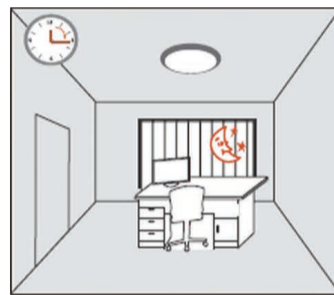
*Please note, factory settings can all be overwritten and controlled by a remote control - Not Inc



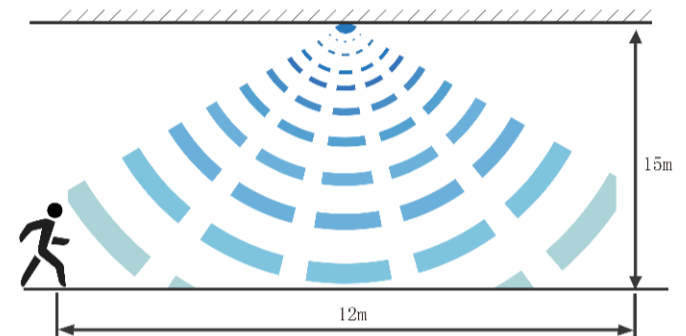
When movement is detected, the high bay unit will turn on and stay on for a period of 5 mins subject to no further movement.



Once the step 1 function has run, the unit will drop to 30% brightness for a period of 1 min subject to no further movement.



After the step 2 function has run and subject to no further movement, the unit will turn off completely.



| | |
|------------------------|---|
| Operating voltage | 10-15V DC |
| Operating current | 30mA±5% |
| Output | DIM 1-10V |
| Standby power | <0.5W |
| Detection area | 25%/50%/75%/100% |
| Hold-time | 5s/30s/1min/3min/5min/10min/20min/30min |
| Daylight threshold | 2Lux/10Lux/50Lux/Disable |
| Stand-by period | 0s/10s/30s/1min/5min/10min/30min/+∞ |
| Stand-by dimming level | 10%/20%/30%/50% |
| Microwave power | <0.3mW |
| Microwave frequency | 5.8GHz±75MHz |
| Microwave power | <0.3mW |
| Detection angle | 30-150° |
| Control line | Ret 12V; Black GND; White -; Yellow + |
| Mounting height | Max.15m(ceiling mounted) |
| Detection range | Max.12x15m(ceiling mounted) Max.20m(wall mounted) |
| Operating temperature | -20°C~+60°C |
| IP rating | IP65 |

ECO LED Canopy Light



Durable - Cost effective - Long Warranty

| Model | Wattage | VEET | IPART | Lumens | Colour | Warranty |
|----------|---------|------|-------|--------|--------|----------|
| LPECO80 | 80 | TBA | TBA | 10,500 | 5,000k | 5 years |
| LPECO120 | 120 | TBA | TBA | 15,500 | 5,000k | 5 years |

Features & Benefits



- Ultra slim light weight
- Surface mounted
- 130 lumen per watt
- Advanced driver cooling
- PC Lens
- Up to 80% Energy savings
- Very easy to install
- Side and rear power entry
- IK8 Rated
- Motion sensor option available
- Solid die-cast aluminum body
- 5 year warranty period

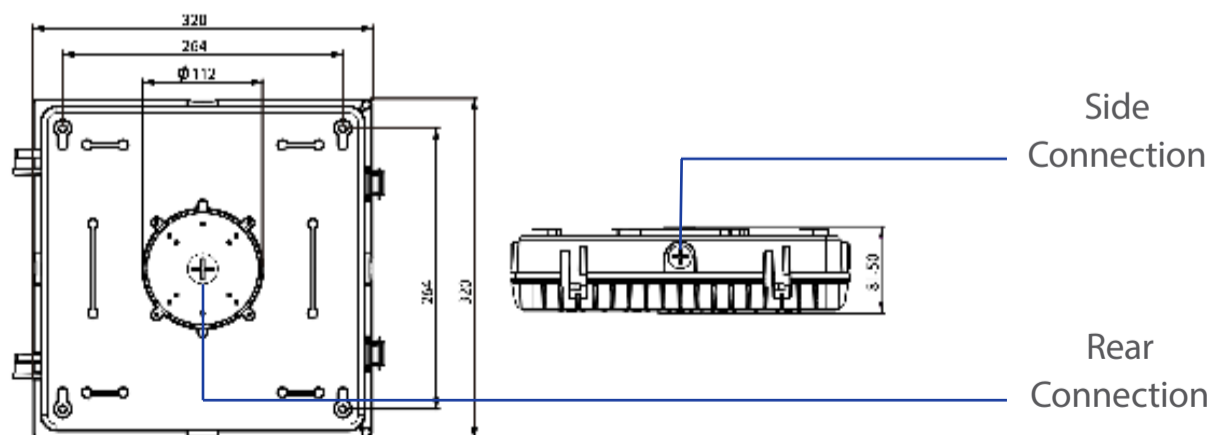
Technical Specifications



| | | | | | |
|-----------------------|-----------------------|-----------------------|--------------------|----------------------------|-------------------------------|
| Voltage AC100-277V | Wattage 80w / 120w | Power Factor >0.90 | Beam Angle 140° | Colour 5,000k | Life Cycle 60,000 Hrs |
| IP Rating IP65 | VEET/ESS/REES TBA | CRI >80 | Diffused Yes | Dimmable No / MS Option | Heat Rating -25°c to +48°c |

Dimensions & Weight

| Model | Length | Width | Depth | Net Weight |
|----------|--------|-------|--------|------------|
| LPECO80 | 320mm | 320mm | 81.5mm | 4.2kg |
| LPECO120 | 320mm | 320mm | 81.5mm | 4.2kg |



Apollo Flood Lights

Market Leading Product

| Model | Wattage | VEET | IPART | Lumens | Colour | Warranty |
|----------|---------|----------------|----------|--------|--------|----------|
| *LPF50W | 50 | Approved / NBB | Approved | 6,000 | 5,000k | 5 years |
| *LPF100W | 100 | Approved / NBB | Approved | 13,000 | 5,000k | 5 years |
| LPF150W | 150 | Approved / NBB | Approved | 19,500 | 5,000k | 5 years |
| LPF200W | 200 | Approved / NBB | Approved | 26,000 | 5,000k | 5 years |



Features & Benefits

- LED Flood Light
- MeanWell Driver
- Significant power savings
- Excellent heat dispensation
- IP65
- Plug top fitted
- Easy to install
- Extruded Aluminum body
- 50,000 average life hours
- Robust and sturdy design
- 5 year warranty
- Nichia chip base
- SMD chip set
- Available in 4 different sizes
- VEET Approved
- VEET NBB Approved
- ESC Approved
- Must NOT to be installed upside down - 180 degrees from laying on its back is ok



Technical Specifications

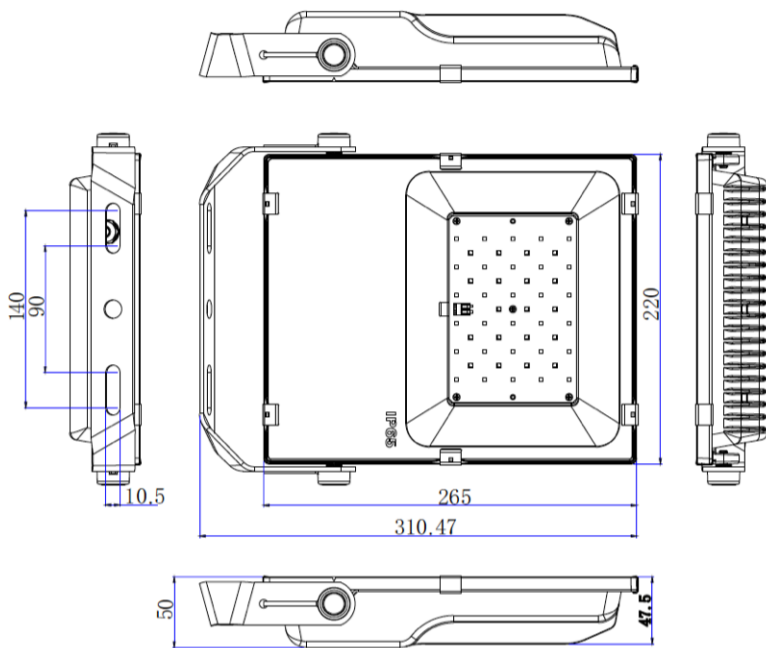


| | | | | | |
|-------------------------|---------------------------|-----------------------|--------------------|------------------|-------------------------------|
| Voltage AC100 - 277V | Wattage MIXED | Power Factor >0.95 | Beam Angle 120° | Colour 5,000K | Life Cycle 56,000+ |
| IP Rating IP65 | VEET/ESS/REES Approved | CRI >75 | Diffused No | Dimmable No | Heat Rating -25°c to +45°c |

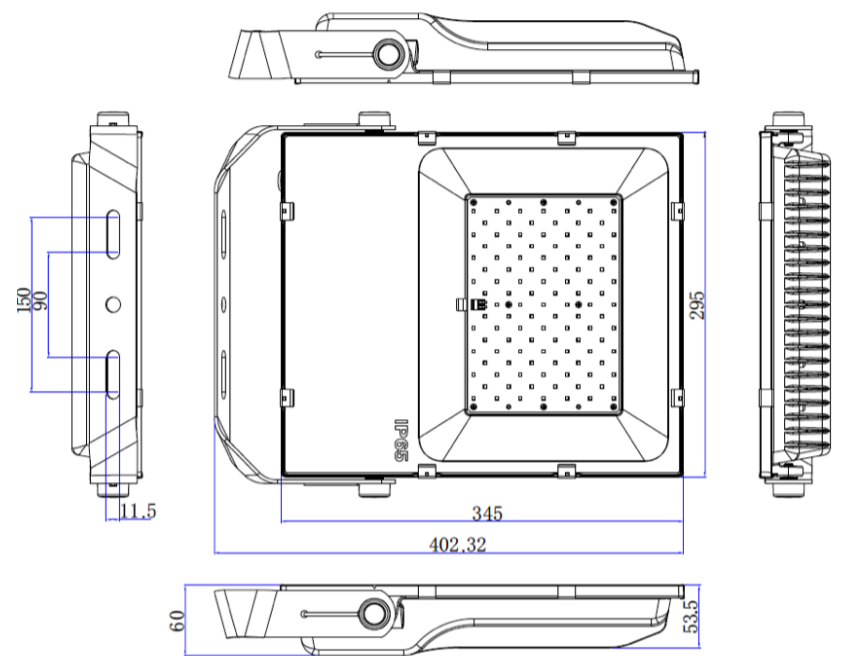
* Please Note: Limited or no stock available. Please call to confirm ETA.

Apollo Flood Lights

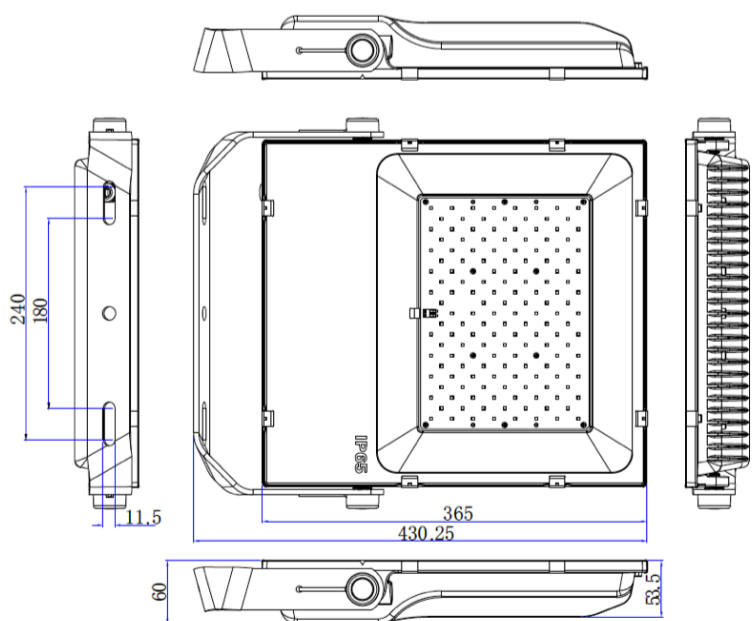
Dimensions & Weights



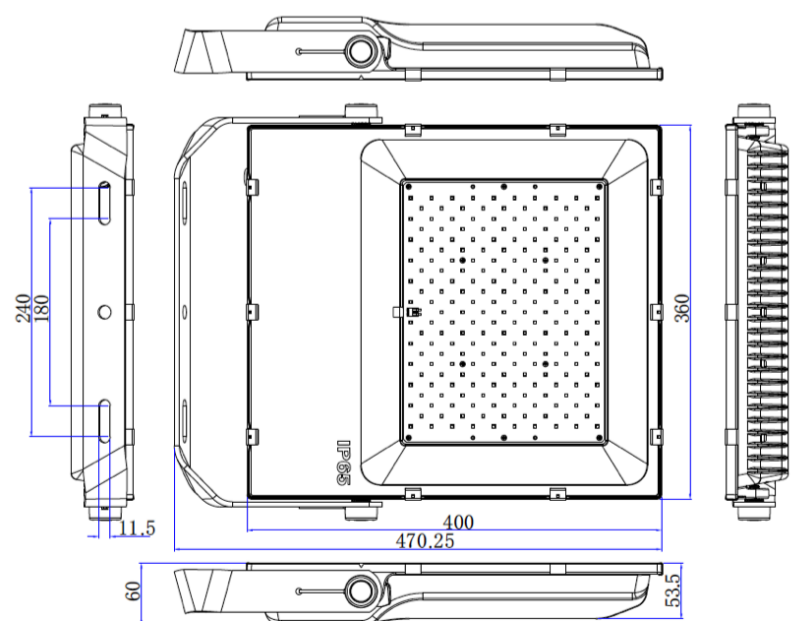
50W - 2.5kg's



100W - 5.5kg's



150W - 9.8kg's



200W - 10Kg's

RANGER LED Flood Lights



High Lumens / Long Warranty / Cost Effective

| Model | Wattage | VEET | IPART | Lumens | Colour | Warranty |
|----------|---------|------|-------|--------|--------|----------|
| LPRF30W | 30 | TBA | TBA | 4,100 | 5,000k | 5 Years |
| LPRF50W | 50 | TBA | TBA | 6,500 | 5,000k | 5 Years |
| LPRF100W | 100 | TBA | TBA | 14,120 | 5,000k | 5 Years |
| LPRF150W | 150 | TBA | TBA | 21,900 | 5,000k | 5 Years |
| LPRF200W | 200 | TBA | TBA | 29,770 | 5,000k | 5 Years |
| LPRF240W | 240 | TBA | TBA | 35,300 | 5,000k | 5 Years |



Features & Benefits

- Ultra slim light weight
- High lumen output
- SMD chip set
- 150 +/- Lumens per watt
- Durable robust design
- Up to 80% Energy savings
- Easy to install
- VEET / IPART Pending
- 5 year warranty period
- Quick fix bracket included
- Radiated body
- SAA Approved

Dimensions & Weight



| Model | Length | Width | Depth | Net Weight |
|----------|--------|-------|-------|------------|
| LPRF30W | 165mm | 187mm | 45mm | 0.77kg |
| LPRF50W | 193mm | 121mm | 45mm | 1.00kg |
| LPRF100W | 282mm | 353mm | 71mm | 3.45kg |
| LPRF150W | 312mm | 397mm | 82mm | 4.25kg |
| LPRF200W | 370mm | 472mm | 82mm | 7.20kg |
| LPRF240W | 370mm | 472mm | 100mm | 7.20kg |

Technical Specifications

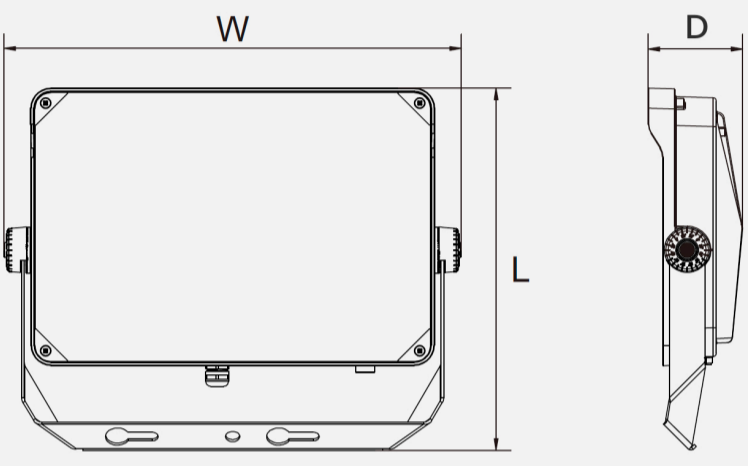
| | | | | | |
|-----------------------|--------------------------|-----------------------|-------------------|------------------|-------------------------------|
| Voltage AC120-277V | Wattage Mixed | Power Factor >0.90 | Beam Angle 105 | Colour 5,000k | Life Cycle 56,000 Hrs |
| IP Rating IP65 | VEET/ESS/REES Pending | CRI >70 | Diffused No | Dimmable No | Heat Rating -25°c to +45°c |

RANGER LED Flood Lights



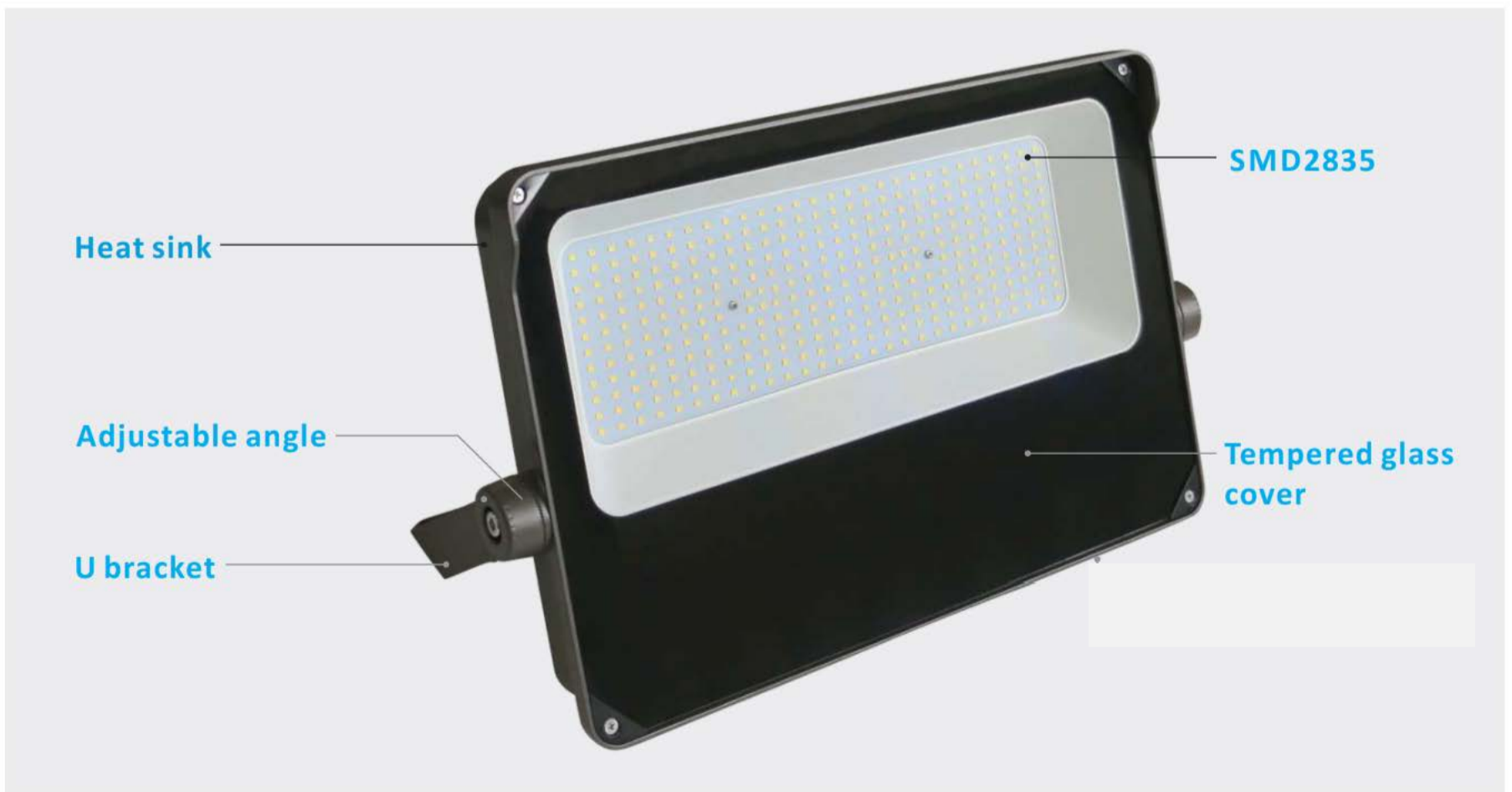
High Lumens / Long Warranty / Cost Effective

Dimensions



Turnnion Mount

| WATTAGE | L x W x D (mm) |
|----------|-------------------|
| 30W | 165.0x187.0x45.5 |
| 50W | 193.0x121.0x45.0 |
| 70W | 225.0x262.0x48.0 |
| 100W | 282.5x353.5x71.0 |
| 150W | 312.5x397.5x82.0 |
| 200-240W | 370.0x472.0x100.0 |



MEGA Flood lights

| Model | Wattage | VEET | IPART | Lumens | Colour | Warranty |
|-----------|---------|------|-------|---------|--------|----------|
| *LPFM480W | 480 | TBA | TBA | 55,200 | 5,000k | 4 years |
| LPFM720W | 720 | TBA | TBA | 82,800 | 5,000k | 4 years* |
| *LPFM960W | 960 | TBA | TBA | 110,400 | 5,000k | 4 years |



Features & Benefits

- LED Flood Light
- MeanWell Driver
- Significant power savings
- Excellent heat dispensation
- IP65
- Very high lumen output
- Extruded Aluminum body
- 50,000 average life hours
- Robust and sturdy design
- 4 year warranty
- Lumiled chip base
- Wide beam angle
- Available in 3 different sizes



Technical Specifications

| | | | | | |
|-------------------------|----------------------|----------------------|--------------------------|------------------|-------------------------------|
| Voltage AC100 - 277V | Wattage MIXED | Power Factor 0.95 | Beam Angle 100° x 60° | Colour 5,000K | Life Cycle 50,000+ |
| IP Rating IP65 | VEET/ESS/REES TBA | CRI >80 | Diffused No | Dimmable No | Heat Rating -20°c to +45°c |

* Please Note: Light Planet's warranty covers for defective products only. No incidentals like labor or hire cost shall be claimed from any party. Please read our T&C for further information.

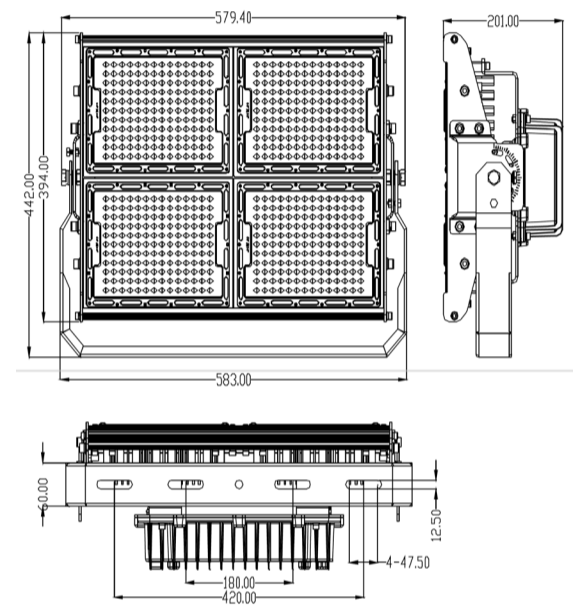
MEGA Flood lights

Dimensions & Weight

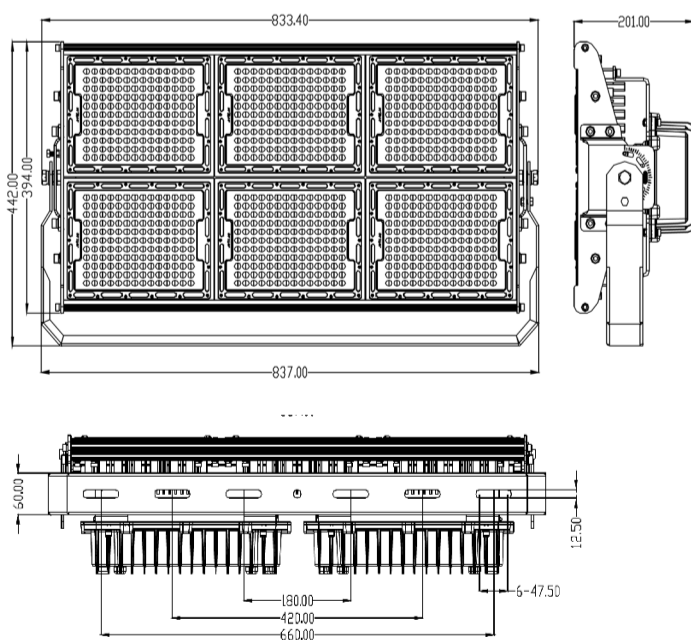
| Model | Length | Width | Depth | Weight |
|----------|--------|-------|-------|---------|
| LPFM480W | 580mm | 394mm | 200mm | 20 kg's |
| LPFM720W | 833mm | 394mm | 200mm | 31 kg's |
| LPFM960W | 1080mm | 394mm | 200mm | 38 kg's |



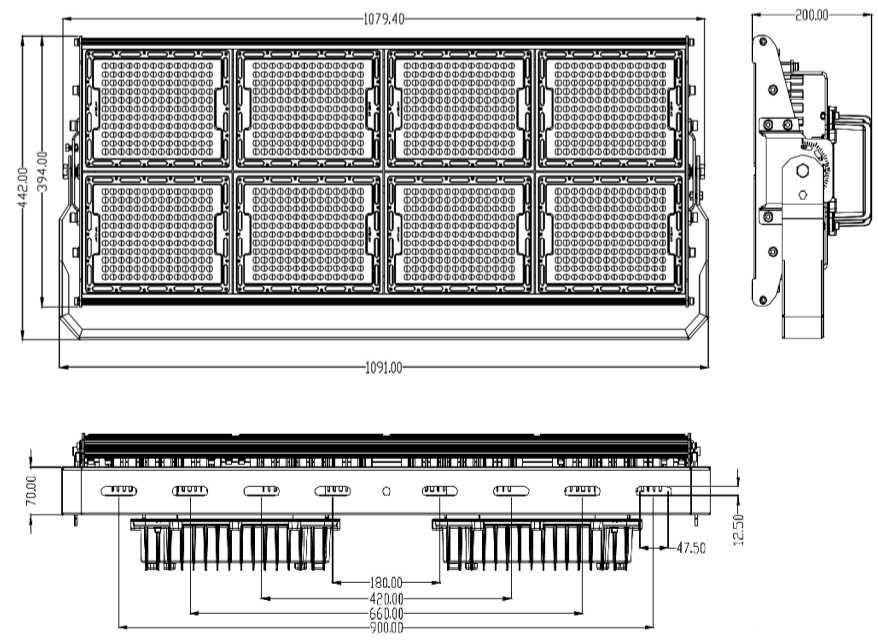
480w



720w



960w



* Please Note: Light Planet's warranty covers for defective products only. No incidentals like labor or hire cost shall be claimed from any party. Please read our T&C for further information.

COMET Area Flood Lights



Advanced Area Flood Lighting

| Model | Wattage | VEET | IPART | Lumens | Colour | Warranty |
|-----------|---------|------|-------|--------|--------|----------|
| LPCAF300W | 300 | No | No | 49,300 | 5,000k | 4 Years |
| LPCAF400W | 400 | No | No | 66,000 | 5,000k | 4 Years |
| LPCAF500W | 500 | No | No | 80,400 | 5,000k | 4 Years |
| LPCAF600W | 600 | No | No | 99,800 | 5,000k | 4 Years |



Features & Benefits

- 160+ lumens per watt
- Excellent heat dispensation
- IP65
- Extruded Aluminum body
- 54,000 average life hours
- Robust and sturdy design
- 4 year warranty
- Forward through, Asymmetrical beam angle ensure low spill and obtrusive light
- Available in 4 different sizes
- Excelent tennis court & area flood lighting
- 10Kv Surge Protection Included as standard



Technical Specifications

| | | | | | |
|-------------------------|-----------------------------------|----------------------|--------------------------------|-------------------------|-------------------------------|
| Voltage AC100 - 277V | Wattage 300 / 400 / 500 / 600w | Power Factor 0.95 | Beam Angle Specialized ASYM | Colour 5,000K | Life Cycle 54,000+ |
| IP Rating IP65 | VEET/ESS/REES TBA | CRI >70 | Diffused No | Dimmable No - Option | Heat Rating -20°C to +45°C |

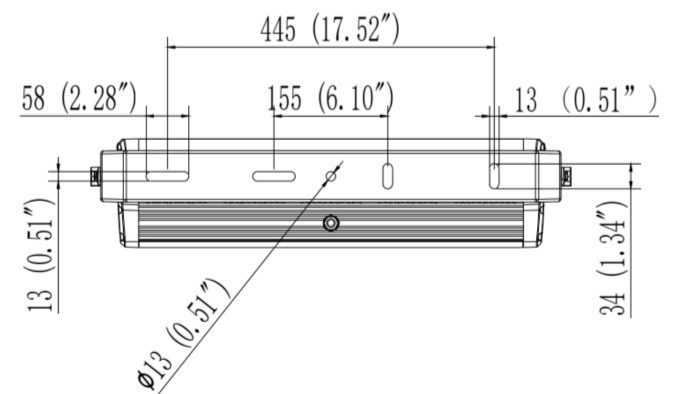
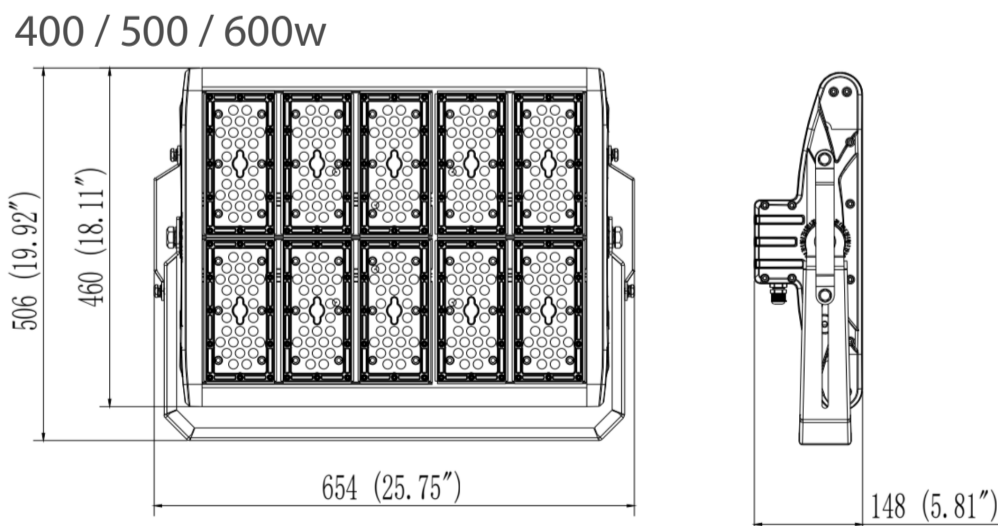
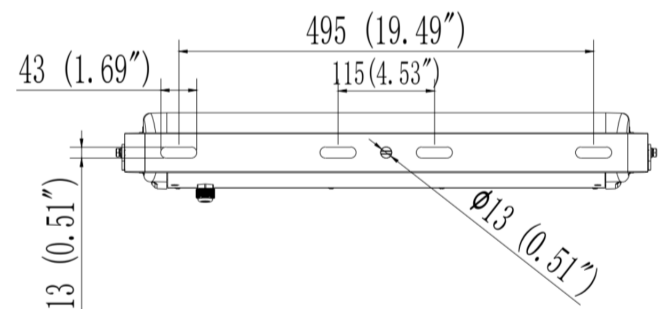
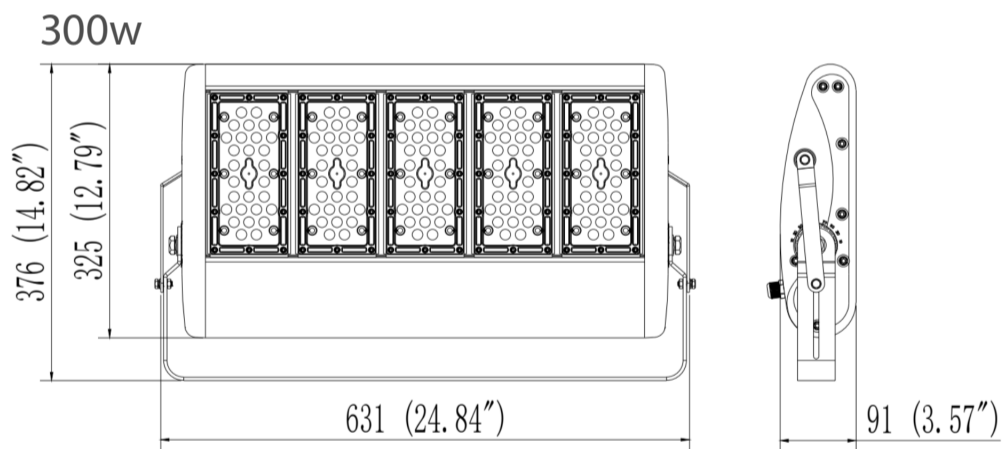
* Please Note: Light Planet's warranty covers for defective products only. No incidentals like labor or hire cost shall be claimed from any party. Please read our T&C for further information.

COMET Area Flood Lights



Dimensions & Weight

| Model | Height | Width | Depth | Weight |
|-----------|--------|-------|-------|-----------|
| LPCAF300W | 376mm | 631mm | 91mm | 12.8 kg's |
| LPCAF400W | 506mm | 654mm | 148mm | 19.5 kg's |
| LPCAF500W | 506mm | 654mm | 148mm | 20.2 kg's |
| LPCAF600W | 506mm | 654mm | 148mm | 23.2 kg's |



* Please Note: Light Planet's warranty covers for defective products only. No incidentals like labor or hire cost shall be claimed from any party. Please read our T&C for further information.

VELLA Stadium Floods

Precision LED Flood Lighting

| Model | Wattage | VEET | IPART | Lumens | Beam Angle | Colour | Warranty |
|----------------------|---------|------|-------|-----------|--------------|--------|----------|
| PLPVSF480-AS25 | 480 | TBA | TBA | 70,800 | Asymmetrical | 5,000k | 4 Years |
| PLPVSF480-(30)(60) | 480 | TBA | TBA | 67,100+- | 30d and 60d | 5,000k | 4 Years |
| PLPVSF800-AS25 | 800 | TBA | TBA | 118,100 | Asymmetrical | 5,000k | 4 Years |
| PLPVSF800--(30)(60) | 800 | TBA | TBA | 115,700+- | 30d and 60d | 5,000k | 4 Years |
| PLPVSF960-AS25 | 960 | TBA | TBA | 138,500 | Asymmetrical | 5,000k | 4 Years |
| PLPVSF960--(30)(60) | 960 | TBA | TBA | 134,000+- | 30d and 60d | 5,000k | 4 Years |
| PLPVSF1200-AS25 | 1200 | TBA | TBA | 177,650 | Asymmetrical | 5,000k | 4 Years |
| PLPVSF1200--(30)(60) | 1200 | TBA | TBA | 171,500+- | 30d and 60d | 5,000k | 4 Years |
| PLPVSF1400-AS25 | 1400 | TBA | TBA | 207,200 | Asymmetrical | 5,000k | 4 Years |
| PLPVSF1400--(30)(60) | 1400 | TBA | TBA | 200,000+- | 30d and 60d | 5,000k | 4 Years |



Features & Benefits

- Precision LED flood Lighting
- Inventronics Driver
- Lumiled chip base
- 277V as standard
- 480V connections available PLEASE SPECIFY (-480v)
- Excellent heat dispensation
- IP65 rated
- 10Kv surge protection
- Extruded aluminum body
- L70 - 54,000 + average life hours
- Robust and sturdy design
- 4 year warranty
- Cable protection pre-installed
- Excellent asymmetrical beam type ensuring low glare, spill and obtrusive light.
- 0 Degree tilt resulting in extremely low sail area
- Available in 4 different sizes
- Laser aiming tool (Option)
- DALI & Dimmable (Option)
- Easy driver access for servicing and maintenance
- Under hang mounting acceptable.



Technical Specifications

| | | | | | |
|-----------------------------|----------------------|----------------------|---|-------------------------|-------------------------------|
| Voltage AC100-277 (480V) | Wattage MIXED | Power Factor 0.95 | Beam Angle Asymmetrical | Colour 5,000K | Life Cycle 54,000+ |
| IP Rating IP65 | VEET/ESS/REES TBA | CRI >72 | Powder Coating AkzoNobel - Anti Corr | Dimmable/DALI Option | Heat Rating -30°C to +50°C |

* Please Note: Light Planet's warranty covers for defective products only. No incidentals like labor or hire cost shall be claimed from any party. Please read our T&C for further information.

VELLA Stadium Floods

Precision LED Flood Lighting



Dimensions / Weight & Mounting Options

| Model | Length | Height | Depth | Weight |
|-----------------|--------|--------|-------|-----------|
| PLPVSF480 | 581mm | 535mm | 110mm | 16.6 kg's |
| PLPVSF800/960 | 656mm | 765mm | 138mm | 32.0 kg's |
| PLPVSF1200/1400 | 673mm | 976mm | 138mm | 43.8 kg's |

| Model | Sail Area | Under Hang | Removable Driver |
|-----------------|-----------|------------|-------------------|
| PLPVSF480 - ALL | 0.0440 | YES | YES (order parts) |
| PLPVSF800/960 | 0.0758 | YES | YES (order parts) |
| PLPVSF1200/1400 | 0.1100 | YES | YES (order parts) |



0° Tilt resulting in a very low Sail Area



Typical Top & Under Hang Installation



10k Surge Protection



Cable protection Included



* Please Note: Light Planet's warranty covers for defective products only. No incidentals like labor or hire cost shall be claimed from any party. Please read our T&C for further information.

THOR 2 Area Floodlights

5 Year Warranty



| Model | Wattage | VEET | IPART | Lumens | Colour | Warranty |
|------------|---------|------|-------|--------|--------|----------|
| LPT2AF100w | 100 | TBA | TBA | 13,500 | 5,000k | 5 years |
| LPT2AF150w | 150 | TBA | TBA | 21,750 | 5,000k | 5 years |
| LPT2AF250w | 250 | TBA | TBA | 36,250 | 5,000k | 5 years |
| LPT2AF320w | 320 | TBA | TBA | 43,500 | 5,000k | 5 years |

Features & Benefits

- Ultra slim & light weight
- Motion sensor option available - 10 second installation!
- 145 lumen per watt
- Up to 80% Energy savings
- Easy to install
- 3 different mounting types - NOT Included
- IK8 Rated
- Anti-corrosive aluminum
- Excellent tennis court, flood and street lighting
- 5 year warranty period
- Brackets NOT included
- Asymmetrical beam angle
- 90 beam angle available on request.
- SAA Approved.
- IP66 Rated



Dimensions & Weight



| Model | Length | Width | Spigot Connection (See next page) | Net Weight |
|------------|--------|-------|--|------------|
| LPT2AF100w | 354mm | 271mm | MUST ORDER - Spigot / Wall Bracket / Trunnion | 5.30kg |
| LPT2AF150w | 354mm | 271mm | MUST ORDER - Spigot / Wall Bracket / Trunnion | 5.30kg |
| LPT2AF250w | 520mm | 321mm | MUST ORDER - Spigot / Wall Bracket / Trunnion | 7.00kg |
| LPT2AF320w | 520mm | 321mm | MUST ORDER - Spigot / Wall Bracket / Trunnion | 7.00kg |

Technical Specifications

| | | | | | |
|-----------------------|----------------------|-----------------------|----------------------------------|----------------------------|-------------------------------|
| Voltage AC100-277V | Wattage Mixed | Power Factor >0.95 | Beam Angle ASym / 90d (order) | Colour 5,000k | Life Cycle 54,000 Hrs |
| IP Rating IP66 | VEET/ESS/REES TBA | CRI >80 | Diffused Yes | Dimmable Yes - Standard | Heat Rating -30°C to +45°C |

* Please Note: Light Planet's warranty covers for defective products only. No incidentals like labor or hire cost shall be claimed from any party. Please read our T&C for further information.

THOR 2 Area Floodlights

High lumen - Dimmable - Long warranty - Cost effective

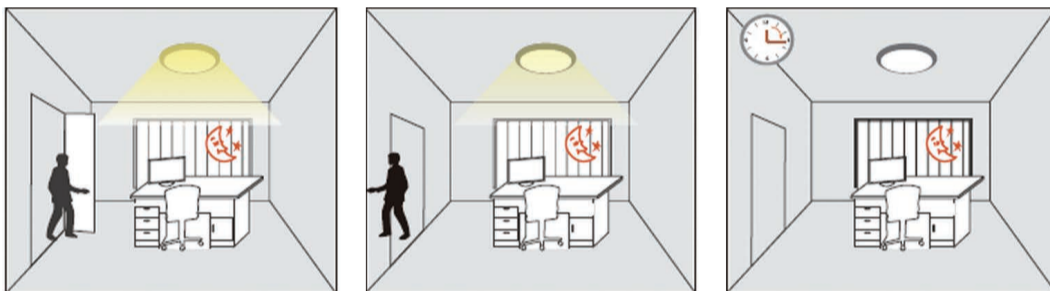
Step-Dimming Function - Motion Sensor

The motion sensor accessories can be simply fitted within 10 seconds by screwing in the unit into place. Once installed the units can be customized to suit an individual sites preferences, with sensitivity, hold time and brightness. Please review the technical specs below or instruction manual for further details.



Motion Sensor simply screws into place in under 10 seconds

*Please note, factory settings can all be overwritten and controlled by a remote control - Not Inc



When movement is detected, the fitting will turn on and stay on for the selected period of time allocated via the remote control. RC unit is sold separately.

Once the step 1 function has run, the fitting will drop to the selected brightness for the selected period of time subject to no further movement.

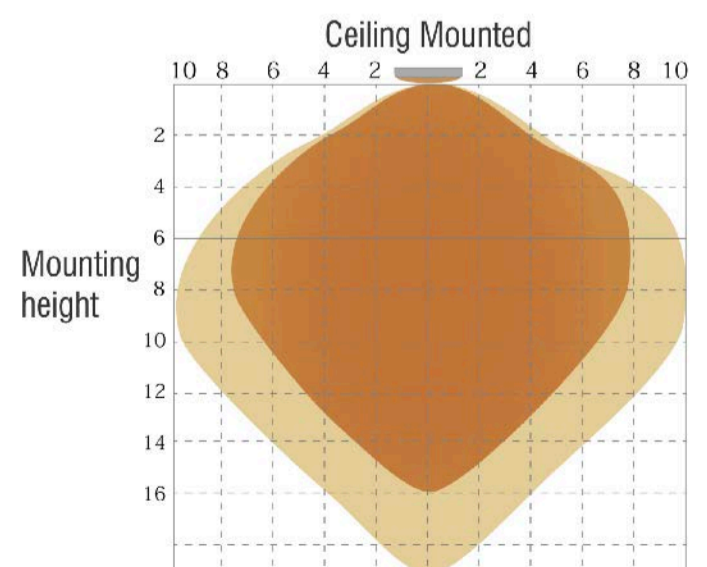
After the step 2 function has run and subject to no further movement, the fitting will either hold the selected brightness or turn off if selected.

Motion Sensor Remote Control Sold Separately



Motion Sensor - Technical Specs

| | |
|------------------------|---|
| Operating voltage | 10-15V DC |
| Operating current | 30mA±5% |
| Output | DIM 1-10V |
| Stand-by power | <0.5W |
| Detection area | 25%/50%/75%/100% |
| Hold time | 5s/30s/1min/3min/5min/10min/20min/30min |
| Daylight threshold | 2Lux/10Lux/50Lux/80Lux/120Lux/Disable |
| Stand-by period | 0s/10s/30s/1min/5min/10min/30min/+∞ |
| Stand-by dimming level | 10%/20%/30%/50% |
| Microwave frequency | 5.8GHz±75MHz |
| Microwave power | <0.3mW |
| Detection angle | 30-150° |
| Mounting height | Max.15m(ceiling mounted) |
| Detection range | Max.∅14m(ceiling mounted) |
| Operating temperature | -20°C~+60°C |



THOR 2 Area Floodlights

5 Year Warranty



Arm Types / Dimensions / Design View

PART NO: LPTAFS
Adjustable Spigot Bracket



Spigot Opening Max: 60mm
Bracket length: 185mm

PART NO: LPTAFWB
Adjustable Wall Bracket



Mount Width: 80mm
Bracket length: 236mm

PART NO: LPTAFTB
Adjustable Trunnion Bracket

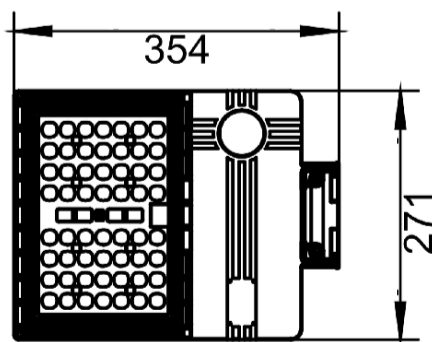


Bracket Width: 134mm
Bracket length: 135mm

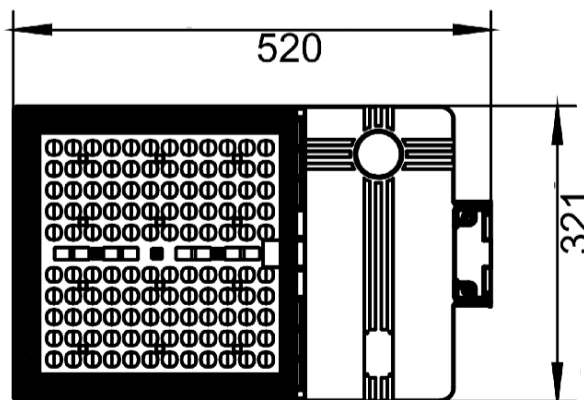
Excellent Tennis Court, Carpark & Area Flood



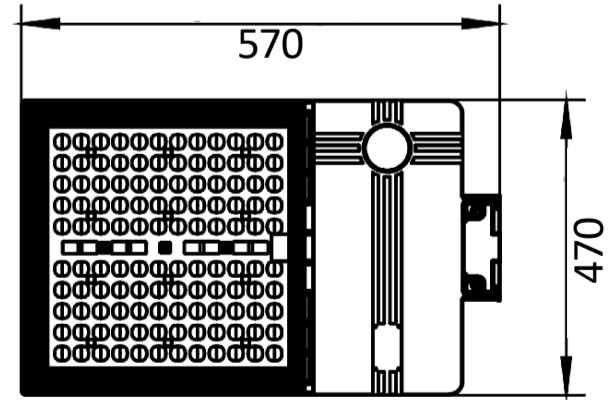
100 / 150w



240 / 300w



340w



* Please Note: Light Planet's warranty covers for defective products only. No incidentals like labor or hire cost shall be claimed from any party. Please read our T&C for further information.

ZEUS LED Streetlights



Market leading product

| Model | Wattage | VEET | IPART | Lumens | Colour | Warranty |
|-----------|---------|------|----------|--------|--------|----------|
| LPST30W | 30 | TBA | Approved | 4,400 | 5,000k | 5 years |
| LPST50W | 50 | TBA | Approved | 6,430 | 5,000k | 5 years |
| *LPST80W | 80 | TBA | Approved | 12,950 | 5,000k | 5 years |
| *LPST120W | 120 | TBA | Approved | 16,600 | 5,000k | 5 years |
| *LPST150W | 150 | TBA | Approved | 21,500 | 5,000k | 5 years |

Features & Benefits



- Ultra slim light weight
- 150 lumen per watt
- Up to 80% Energy savings
- Easy to install
- Dimmable driver
- IPART Approved
- Backed by a 5 year warranty period
- PE Cell option available
- Quick fix bracket included
- 30 - 50w Sonson driver
- 80 - 150w MeanWell driver
- SAA Approved.
- Wall bracket available



150 L/pw

Dimensions & Weight



| Model | Length | Width | Spigot Connection | Net Weight |
|----------|--------|-------|-------------------|------------|
| LPST30W | 478mm | 200mm | 50-60mm | 3.50kg |
| LPST50W | 478mm | 200mm | 50-60mm | 3.80kg |
| LPST80W | 566mm | 290mm | 50-60mm | 5.50kg |
| LPST120W | 566mm | 290mm | 50-60mm | 6.50kg |
| LPST150W | 566mm | 290mm | 50-60mm | 6.60kg |

* Please Note: Limited or no stock available. Please call to confirm ETA.

Technical Specifications

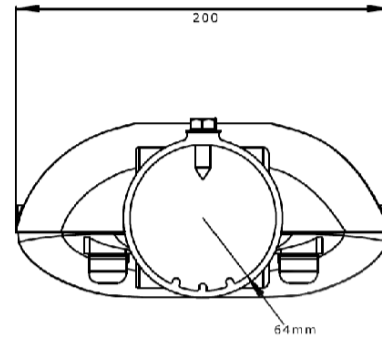
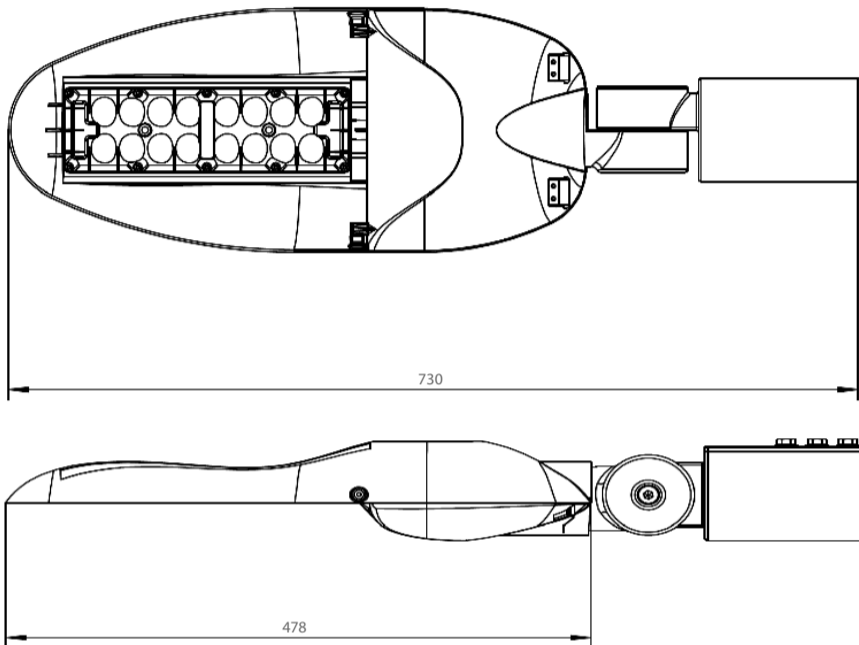
| | | | | | |
|-----------------------|--------------------------|-----------------------|-------------------------|------------------|-------------------------------|
| Voltage AC100-230V | Wattage Mixed | Power Factor >0.95 | Beam Angle 140 x 60° | Colour 5,000k | Life Cycle 50,000 Hrs |
| IP Rating IP65 | VEET/ESS/REES Pending | CRI >75 | Diffused Yes | Dimmable Yes | Heat Rating -25°c to +45°c |

* Please Note: Light Planet's warranty covers for defective products only. No incidentals like labor or hire cost shall be claimed from any party. Please read our T&C for further information.

ZEUS LED Streetlights

Dimensions & Accessories

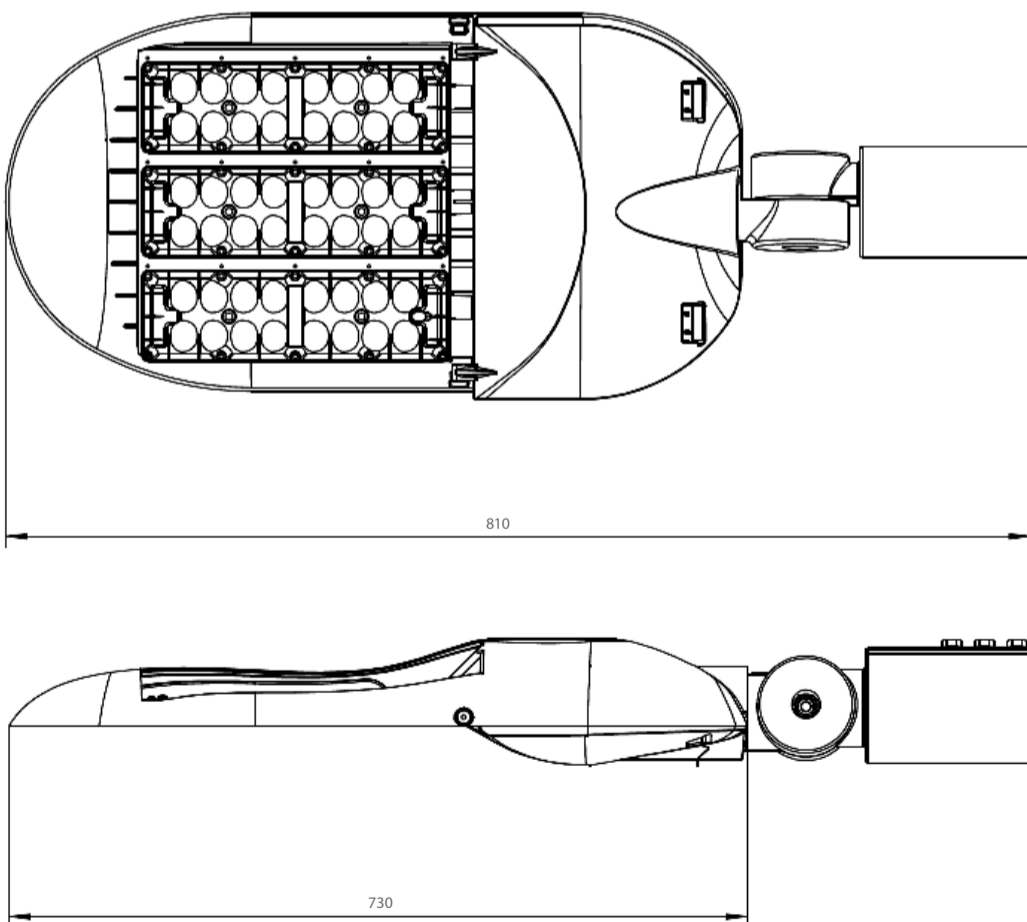
30 - 50w ZEUS



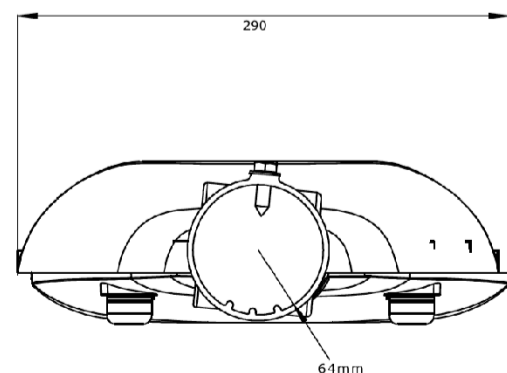
WALL BRACKET - NOT included



80 -150w ZEUS



SPIGOT - Included



* Please Note: Light Planet's warranty covers for defective products only. No incidentals like labor or hire cost shall be claimed from any party. Please read our T&C for further information.

ZEUS 2 LED Streetlights



Market leading product

| Model | Wattage | VEET | IPART | Lumens | Colour | Warranty |
|----------|---------|------|-------|--------|--------|----------|
| LPS2T30W | 30 | TBA | TBA | 4,300 | 5,000k | 5 years |
| LPS2T50W | 50 | TBA | TBA | 6,600 | 5,000k | 5 years |
| LPS2T75W | 75 | TBA | TBA | 8,900 | 5,000k | 5 years |

Features & Benefits

- Ultra slim light weight
- 130 - 140 lumen per watt
- Up to 80% Energy savings
- Easy to installation
- Dimmable driver
- IK08 Rated
- Backed by a 5 year warranty period
- Quick fix bracket included
- 30w, 50w and 75w available
- Thin entry bracket available - 42mm
- Wall bracket available
- Vertical and horizontal installation options



Dimensions & Weight



| Model | Length | Width | Spigot Connection | Net Weight |
|----------|--------|-------|-------------------|------------|
| LPS2T30W | 435mm | 200mm | 50-62mm | 3.80kg |
| LPS2T50W | 435mm | 200mm | 50-62mm | 3.80kg |
| LPS2T75W | 490mm | 233mm | 50-62mm | 6.60kg |

Technical Specifications

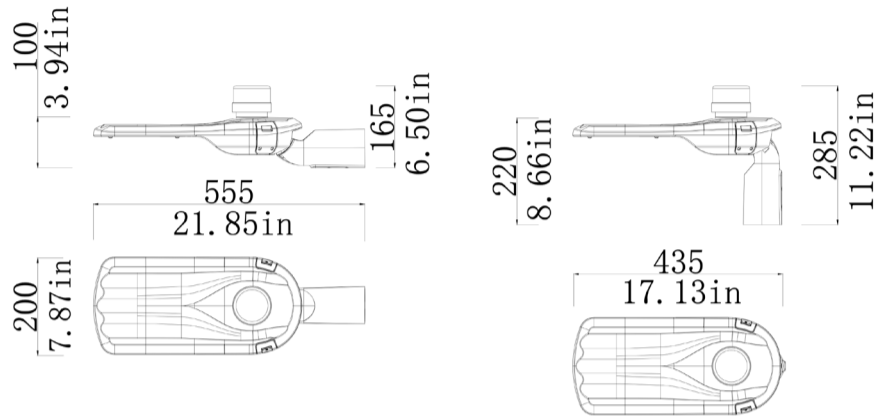
| | | | | | |
|-----------------------|---------------------|-----------------------|-------------------------|-------------------------------|-------------------------------|
| Voltage AC100-277V | Wattage 30/50/75 | Power Factor >0.95 | Beam Angle 140 x 60° | Colour 5,000k | Life Cycle 52,000 Hrs |
| IP Rating IP65 | VEET/ESS/REES NO | CRI >70 | Diffused Yes | Dimmable Yes - Only 50/75w | Heat Rating -30°c to +45°c |

* Please Note: Light Planet's warranty covers for defective products only. No incidentals like labor or hire cost shall be claimed from any party. Please read our T&C for further information.

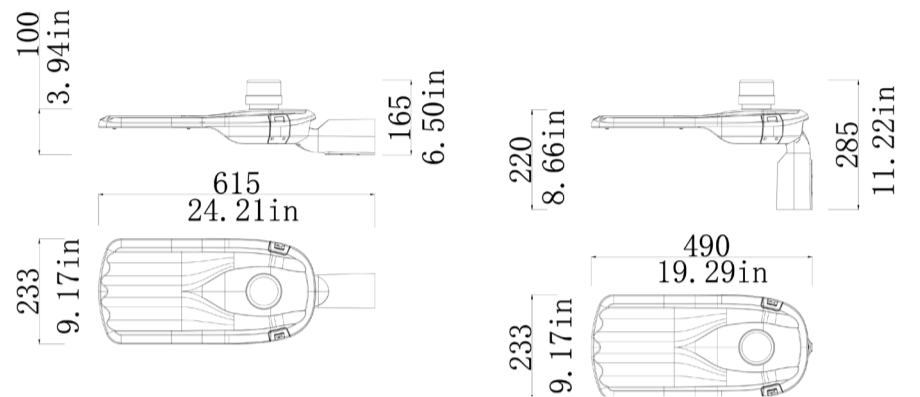
ZEUS 2 LED Streetlights

Dimensions & Installation Options

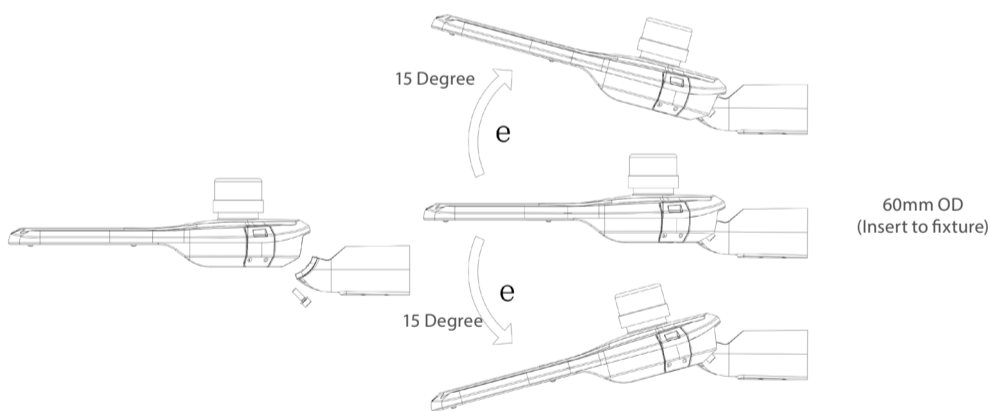
30 - 50w ZEUS 2



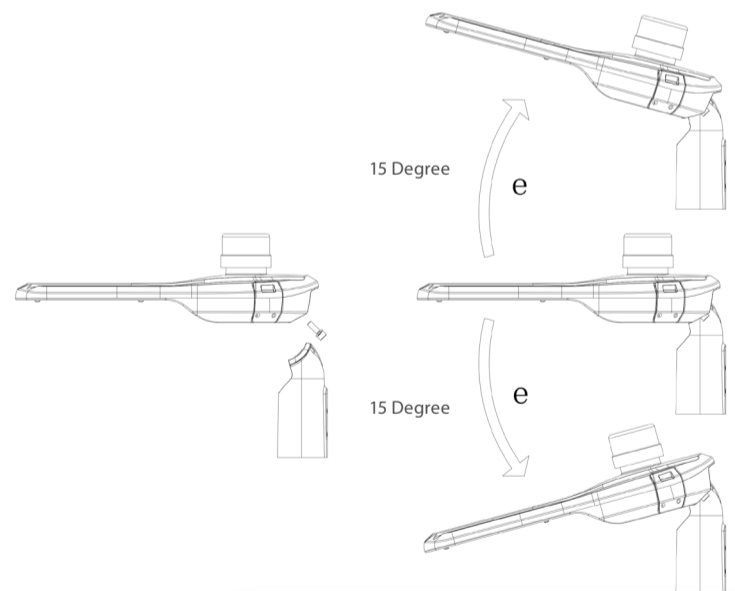
75w ZEUS 2



Installation Option 1 Horizontal



Installation Option 2 Vertical



* Please Note: Light Planet's warranty covers for defective products only. No incidentals like labor or hire cost shall be claimed from any party. Please read our T&C for further information.

Flare Solar Street Lights

Solar Powered Lighting At It's Best

| Model | Wattage | Function Operated | Remote Controled | Weight | Lumens | Colour | Warranty |
|------------|---------|-------------------|------------------|-----------|--------|--------|----------|
| *PLPSOLF10 | 10 | Yes | Yes | 6.5 Kg's | 1,500 | 5,000k | 2 years |
| *PLPSOLF20 | 20 | Yes | Yes | 8.0 Kg's | 3,000 | 5,000k | 2 years |
| *PLPSOLF30 | 30 | Yes | Yes | 11.8 Kg's | 4,500 | 5,000k | 2 years |
| *PLPSOLF40 | 40 | Yes | Yes | 14.6 Kg's | 6,000 | 5,000k | 2 years |



SMART SOLAR
CERTIFIED



Features & Benefits

- Available with or without 240v power back up - Add: '-240' to part number
- 240v power back up can offer AS/NZ compliant solutions
- Charging time: 9 - 11 hours
- Significant power savings
- Excellent heat dispensation
- IP66 rated
- Rechargeable and replaceable Lithium-ion battery pack
- Aluminum body
- 60,000 hours chip life expectancy
- Robust and sturdy design
- 2 year warranty
- Approx 36 hour stand alone autonomy
- SMD chip set
- Available in 4 different sizes



Factory Setting

- 1 - 10 min hold time at 100% brightness
- 2 - After no motion for 10 min, the unit drops to 30% brightness indefinitely or until motion is detected again.
- 3 - Lux override. Unit will turn off or on at approx 15 lux.
- 4 - 240v power back up will allow the unit to charge it self should the battery drop below 30% due to several cloudy days with no charge.

Technical Specifications

| | | | | | |
|--------------------------|---------------------------|------------------|----------------|----------|----------------|
| Voltage | Wattage | Power Factor | Beam Angle | Colour | CRI |
| 0 (AC100 - 277V if 240v) | MIXED | >0.95 | 145° x 65° | 5,000K | >75 |
| IP Rating | Function 1 | Function 2 | Motion Sensor | Dimmable | Heat Rating |
| IP66 | 100% Brightness - 10 mins | 30% - Indefinite | Yes - Standard | Yes | -20°c to +60°c |

* Please Note: Limited or no stock available. Please call to confirm ETA.

SMART Solar Area Light



Solar Powered Lighting At It's Best

| Model | Wattage | Function Operated | Remote Controled | Lumens | Colour | Warranty |
|----------|---------|-------------------|------------------|--------|--------|----------|
| LPSSA10w | 10 | Yes | No | 1,500 | 5,000k | 3 years |

Features & Benefits

- Advanced Mono-crystalline Silicon solar panel
- Energy Management System (EMS) operated - Up to 8 days of operation in low sunlight periods
- MPPT Charge Controller for quick, efficient charging
- Charging indicator light
- Seoul SMD chip set
- Charging time: 9 - 11 hours
- Power on/off button
- Excellent off-grid lighting option
- IP66 rated
- Lithium-ion battery pack
- Aluminum body
- 60,000 hours chip life expectancy
- Robust and sturdy design
- 3 year warranty
- 2 x mount option included - Wall and Pole (60mm)
- Cover plate below the button must be removed to mount the arm
- IMPORTANT – These units are solar operated. They do need some time for their initial charge.



SMART SOLAR
CERTIFIED

Dimensions & Weight



| Model | Height | Diameter | Depth | Arm Length | Net Weight |
|----------|--------|----------|-------|------------|------------|
| LPSSA10w | 142mm | 300mm | 360mm | 320mm | 8.00kg |

Technical Specifications

| | | | | | |
|-----------|--|--------------|---------------|--------------------|----------------|
| Voltage | Wattage | Power Factor | Beam Angle | Colour | CRI |
| - | 10w | - | 160° | 5,000K | >75 |
| IP Rating | Function | PE Sensor | Motion Sensor | Dimmable | Heat Rating |
| IP66 | 100% Brightness - 4h 50% Brightness - 4h 25% Brightness - 4h | Yes | No | Yes - Set Function | -10°C to +50°C |

SMART Solar Area Light

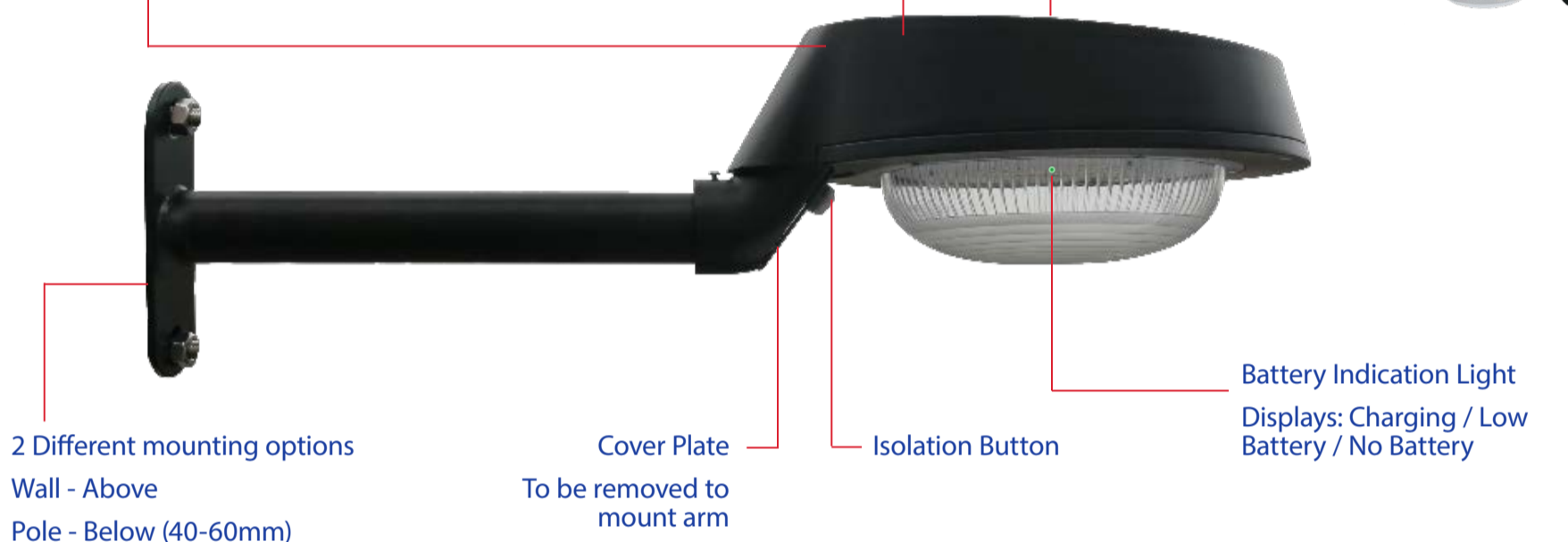
Solar Powered Lighting At It's Best

Highlighted Features

In-built Energy Management System (EMS).
6 - 8 days of operation during low sunlight periods

MPPT Technology for quick, efficient charging

Highly Efficient Monocrystalline Silicon Solar Panel



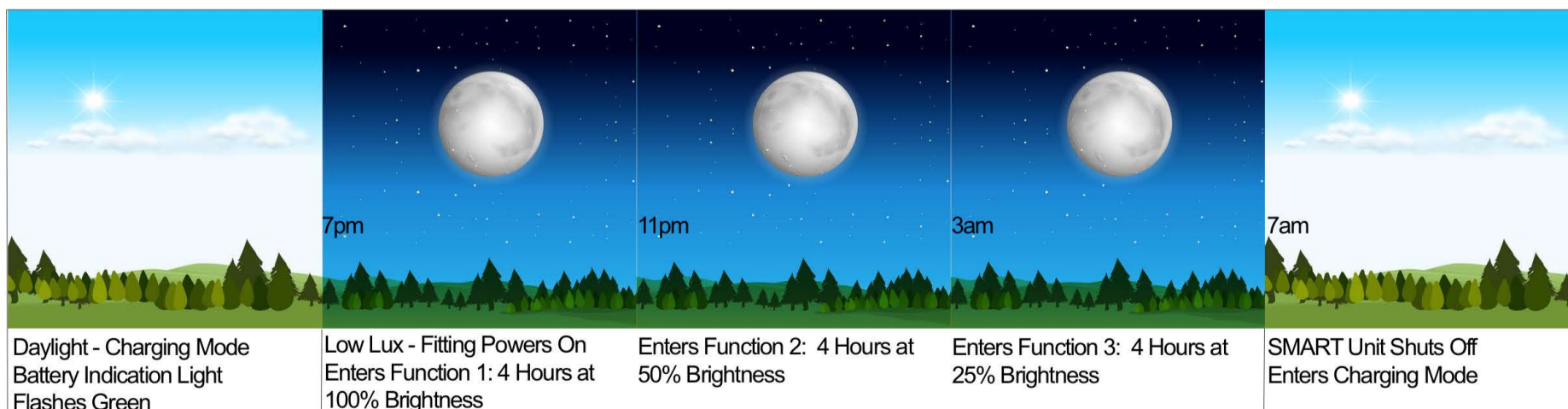
Battery Indication Light
Displays: Charging / Low Battery / No Battery
Charging: Green flashing light
Low Battery: Blue flashing light
No Battery: Solid red light or no light

IMPORTANT – These units need some time for their initial charge. If your installation requires light immediately, we would recommend unboxing the units, turning them on and leaving them in direct sunlight for 2 – 3 days prior to your installation. You must turn them off at the end of each day, to ensure they dont operate in low light

SMART EMS Setting

- 1 - Fitting operates on low light - Approx +/-15 lux
- 3 - Next 4 hours at 50% brightness

- 2 - First 4 hours at 100% brightness
- 4 - Last 4 hours at 25% brightness



SMART Solar Floodlights



Solar Powered Lighting At It's Best

| Model | Wattage | Function Operated | Remote Controled | Lumens | Colour | Warranty |
|------------|---------|-------------------|------------------|--------|--------|----------|
| LPSSA50w | 50 | Yes | No | 3,000 | 5,000k | 3 years |
| LPSSA100w | 100 | Yes | No | 7,000 | 5,000k | 3 years |
| LPSSA200w | 200 | Yes | No | 10,000 | 5,000k | 3 years |
| *LPSSA300w | 300 | Yes | No | 15,000 | 5,000k | 3 years |



Features & Benefits

- Advanced Mono-crystalline Silicon solar panel
- Energy Management System (EMS) operated - Up to 8 days of operation in low sunlight periods
- MPPT Charge Controller for quick, efficient charging
- Charging indicator light
- Seoul SMD chip set
- Charging time: 9 - 11 hours
- Excellent off-grid lighting option
- IP66 rated
- Lithium-ion battery pack
- 54,000 hours chip life expectancy
- Robust and sturdy design
- 3 year warranty



Dimensions & Weight

| Model | Flood Width / Height | Panel Width / Height | Cable Length | Flood Weight | Panel Weight |
|-----------|----------------------|----------------------|--------------|--------------|--------------|
| LPSSA50w | 278 x 299 x 36mm | 350 x 350 x 17mm | 1.5m | 3.4 kg | 0.3 kg |
| LPSSA100w | 293 x 324 x 40mm | 650 x 350 x 17mm | 1.5m | 6.2 kg | 0.5 kg |
| LPSSA200w | 392 x 426 x 40mm | 750 x 350 x 25mm | 1.5m | 7.5 kg | 1.1 kg |
| LPSSA300w | 545 x 447 x 45mm | 670 x 660 x 25mm | 1.5m | 12.0 kg | 1.8 kg |

Technical Specifications

| | | | | | |
|-----------|--|--------------|---------------|--------------------|----------------|
| Voltage | Wattage | Power Factor | Beam Angle | Colour | CRI |
| - | Mixed | - | 90° | 5,000K | >75 |
| IP Rating | Function | PE Sensor | Motion Sensor | Dimmable | Heat Rating |
| IP66 | 100% Brightness - 4h 50% Brightness - 4h 25% Brightness - 4h | Yes | No | Yes - Set Function | -10°C to +50°C |

* Please Note: Limited or no stock available. Please call to confirm ETA.

SMART Solar Floodlights

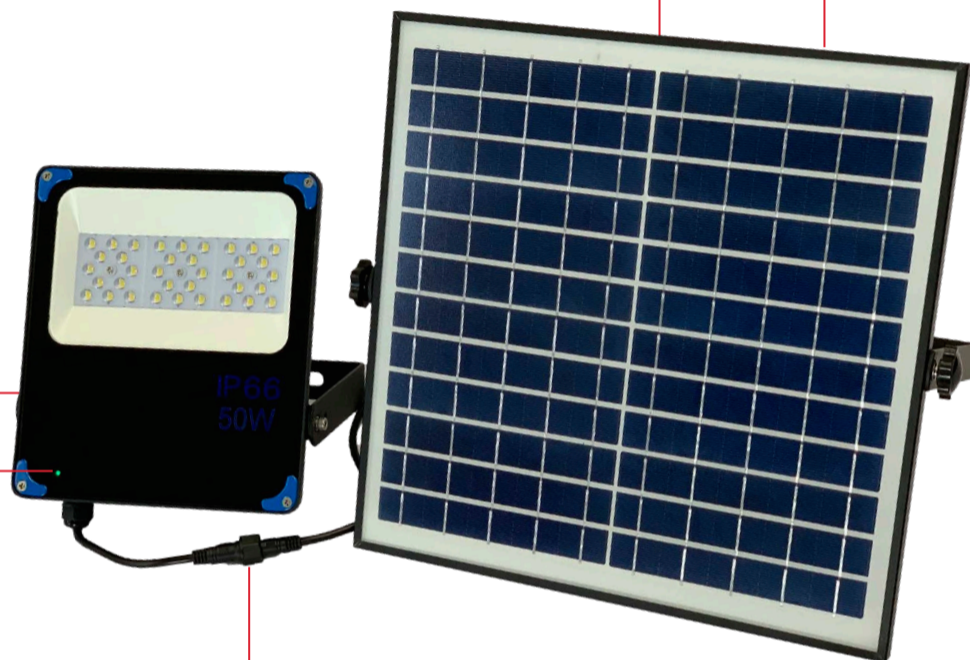
Solar Powered Lighting At It's Best

Highlighted Features

In-built Energy Management System (EMS).
6 - 8 days of operation during low sunlight periods

MPPT Technology for quick, efficient charging

Highly Efficient Monocrystalline Silicon Solar Panel



Battery Indication Light

Green: 70-100% power

Blue: 30-60% power

Red: Less than 30% power

Weatherproof Connector

Connect to allow unit to charge and/or operate

SMART EMS Setting

1 - Fitting operates on low light - Approx +/-15 lux

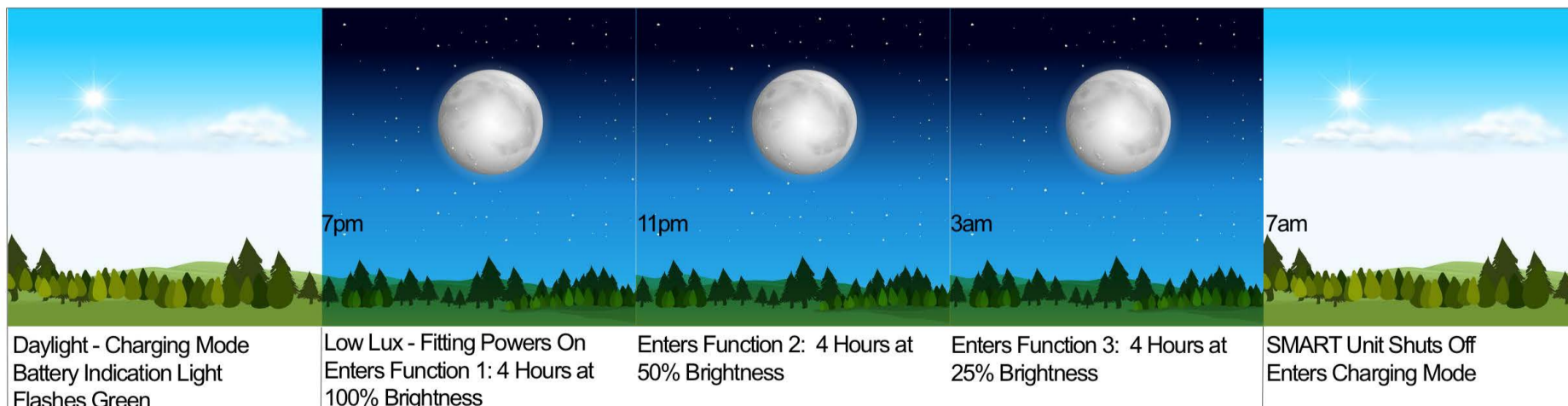
2 - First 4 hours at 100% brightness

3 - Next 4 hours at 50% brightness

4 - Last 4 hours at 25% brightness



SMART SOLAR
CERTIFIED



VENUS LED Batten Light



1200mm & 600mm / IP20

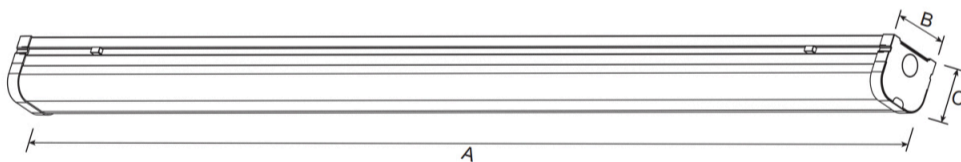
| Model | Wattage | VEET | IPART | Lumens | Colour | Warranty |
|---------|---------|----------|----------|--------|--------|----------|
| LPVB20W | 20 | Approved | Approved | 2,000 | 5,000k | 3 years |
| LPVB34W | 34 | Approved | Approved | 3,730 | 5,000k | 3 years |

110+ L/pw



Features & Benefits

- This batten light adopts a high lumen LM-80 2835 SMD LED chip base
- PC diffuser for anti-glare
- Very simple installation
- Backed by a 3 year warranty period
- High quality driver & capacitor ensuring excellent working performance
- Side or rear power entry for easy installation
- SAA Approved
- IK08 Rated
- VEET - Approved
- IPART - Approved



Dimensions & Weight



| Model | A | B | C | Net Weight |
|---------|--------|------|------|------------|
| LPVB20W | 600mm | 71mm | 63mm | 0.65kg |
| LPVB34W | 1200mm | 71mm | 63mm | 1.15kg |

Technical Specifications

| | | | | | |
|-----------------------|---------------------------|----------------------|--------------------|------------------|-------------------------------|
| Voltage AC100-277V | Wattage 20w / 34w | Power Factor >0.9 | Beam Angle 120° | Colour 5,000k | Life Cycle 50,000 Hrs |
| IP Rating IP20 | VEET/ESS/REES Approved | CRI >80 | Diffused Yes | Dimmable No | Heat Rating -20°c to +45°c |

VERSATILE LED Batten Light



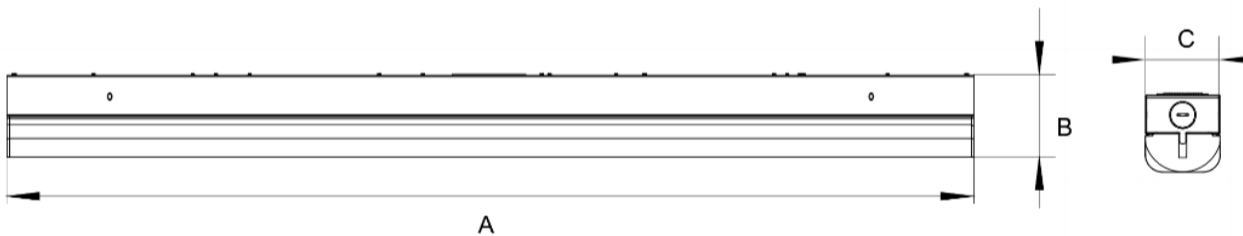
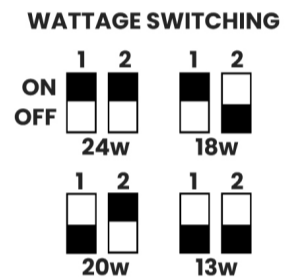
Tri-Colour / Quad-Wattage

| Model | Wattage | VEET | IPART | Lumens | Colour | Warranty |
|-------|-------------|------|-------|-------------------------------|--------------|----------|
| LPTQB | 13/18/20/24 | TBA | TBA | 1,820 / 2,340 / 2,730 / 3,250 | 3k / 4k / 5k | 5 Years |



Features & Benefits

- PC diffuser for anti-glare
- Simple installation
- Backed by a 5 year warranty period
- Tri-colour and Quad-wattage all in one unit
- Side or rear power entry for easy installation
- SAA Approved
- IK06 Rated
- Dimmable driver 0-10v
- 130 Lumens per watt
- VEET - TBA
- IPART - TBA
- Switching methods are documented below



Dimensions & Weight



| Model | A | B | C | Net Weight |
|-------|--------|------|------|------------|
| LPTQB | 1220mm | 67mm | 65mm | 1.6kg |

Technical Specifications

| | | | | | |
|-----------------------|--------------------------|----------------------|--------------------|--------------------|-------------------------------|
| Voltage AC120-277V | Wattage 13/18/20/24 w | Power Factor >0.9 | Beam Angle 120° | Colour 3k/4k/5k | Life Cycle 52,000 Hrs |
| IP Rating IP20 | VEET/ESS/REES TBA | CRI >80 | Diffused Yes | Dimmable Yes | Heat Rating -20°c to +45°c |

JUNO LED Batten Lights

Cost Effective - Low Wattage - IP65 - High Lumens

| Model | Wattage | VEET | IPART | Lumens | Colour | Warranty |
|-------------|-----------------|----------|----------|--------|--------|----------|
| LPJUNO18 | 18 | NO | NO | 2,250 | 5,000k | 3 years |
| LPJUNO30 | 30 | Approved | Approved | 3,750 | 5,000k | 3 years |
| LPJUNO30-EM | 30 | NO | NO | 3,750 | 5,000k | 3 years |
| LPJUNO40 | 40 | TBA | TBA | 5,000 | 5,000k | 3 years |
| LPJUNOMS | (Motion Sensor) | Approved | Approved | - | - | 3 years |



Rear & Side Power Entry

Features & Benefits

- A high lumen SMD LED chip base
- PC diffuser for anti-glare
- Rear or side power entry
- Backed by a 3 year warranty period
- High quality driver ensuring excellent working performance
- SS fixing clips
- IP65 rated
- IK8 rated
- SAA Approved
- Valdal resistant
- Large power terminal for easy connection
- Quick Fit Motion Sensor Accessory - Not Included



Motion Sensor Accessory
Sold separately - 2 min installation



Emergency Test Button
Push to test Emergency feature



Dimensions & Weight

| Model | Length | Width | Height | Net Weight |
|---------------|---|-------|--------|------------|
| LPJUNO18 | 600mm | 90mm | 76mm | 2.0kg |
| LPJUNO30 / EM | 1200mm | 90mm | 76mm | 3.6kg |
| LPJUNO40 | 1500mm | 90mm | 76mm | 4.8kg |
| LPJUNOMS | (Internal Fitted Accessory - Sold separately) | | | |

Emergency Specifications



| Emergency Class | Wattage | Battery Duration | Charge Time | Battery Type | Emergency Power |
|--------------------|----------|------------------|-------------|---------------------|-------------------|
| C0: D63 / C90: D34 | 30w Only | 2 Hours | 15 Hours | LiFePo4 - Long Life | 3.5w - Maintained |

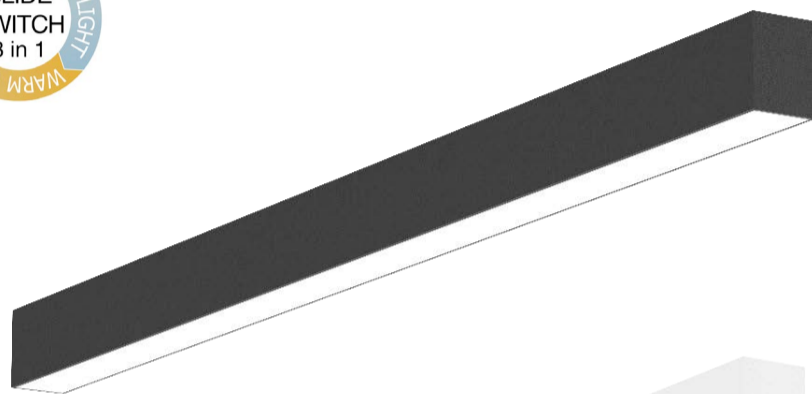
Technical Specifications

| Voltage | Wattage | Power Factor | Beam Angle | Colour | Life Cycle |
|------------|---------------|--------------|---------------|----------|----------------|
| AC200-240V | 18/30/40w | >0.9 | 120° | 5,000k | 54,000 Hrs |
| IP Rating | VEET/ESS/REES | CRI | Motion Sensor | Dimmable | Heat Rating |
| IP65 | Pending | >80 | No - Option | No | -20°c to +40°c |

CODA Linear Light

Tri-Colour - High Quality - Linkable

| Model | Wattage | Length | Material | Lumens | Colour | Warranty |
|--------|---------|--------|----------|---------------|--------|----------|
| LPCLLW | 36 | 1200mm | Aluminum | 3,650 - 3,950 | 5,000k | 3 Years |
| LPCLLB | 36 | 1200mm | Aluminum | 3,650 - 3,950 | 5,000k | 3 Years |



RAL 9005



RAL 9016

Features & Benefits

- Architectural design finished with high quality aluminum
- PC diffuser for anti-glare
- 3 mounting options available - Surface, suspension & recessed
- Suspension and recessed kits sold as an accessory
- Inter linkable accessory available
- Backed by a 3 year warranty period
- High quality driver & capacitor ensuring excellent working performance
- SAA Approved
- IK06 Rated



Dimensions & Weight

| Model | Length | Width | Height | Net Weight |
|--------|--------|-------|--------|------------|
| LPCLLW | 1204mm | 56mm | 75mm | 2.75kg |
| LPCLLB | 1204mm | 56mm | 75mm | 2.75kg |

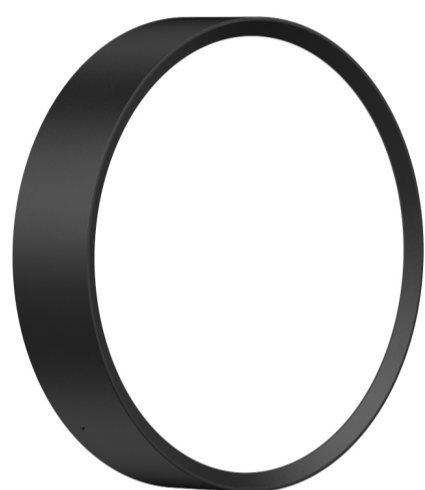
Technical Specifications

| | | | | | |
|-----------------------|---------------------------|----------------------|--------------------|----------------------------------|-------------------------------|
| Voltage AC220-240V | Wattage 36w | Power Factor >0.9 | Beam Angle 120° | Colour 3,000 / 4,000 / 5,500k | Life Cycle 50,000 Hrs |
| IP Rating IP40 | Material PC / Aluminum | CRI >80 | Diffused Yes | Dimmable 0-10v | Heat Rating -20°c to +45°c |

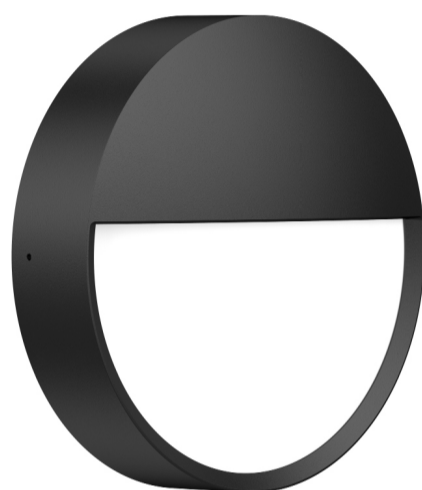
HALO Wall Lights

Full and Half Eyelid Profiles

| Model | Wattage | Profile | IP Rating | Lumens | CCT | Warranty |
|----------|---------|-------------|-----------|-------------|--------------|----------|
| LPHWL12w | 12w | Half Eyelid | IP65 | 880 - 1100 | 3k / 4k / 5k | 3 Years |
| LPHWL18w | 18w | Full Eyelid | IP65 | 1450 - 1800 | 3k / 4k / 5k | 3 Years |



Full Eyelid



Half Eyelid

Features & Benefits

- Power coated aluminum body
- Architectural design
- Vandal resistant
- 94-V0 Fire rated PC cover
- Easy to install
- CCT change - 3,4,5k
- 240 Lumens
- SAA Approved
- Ik10 Rated
- IP65 Rated
- Recessed & Surface options
- 2 x profile options - Full Eyelid and Half Eyelid



Dimensions & Weight



| Model | Diameter | Depth | Dimmable | Net Weight |
|----------|----------|-------|----------|------------|
| LPHWL12w | 250mm | 74mm | NO | 1.30kg |
| LPHWL18w | 250mm | 58mm | NO | 1.35kg |

Technical Specifications

| | | | | | |
|-----------------------|----------------------|----------------------|--------------------|-------------------------|-------------------------------|
| Voltage 200-240VAC | Wattage 12w / 18w | Power Factor >0.9 | Beam Angle 110° | IK Rating IK10 Rated | Life Cycle 50,000 Hrs |
| IP Rating IP65 | CCT 3k, 4k, 5k | CRI >80 | Diffused Yes | Dimmable No - Option | Heat Rating -20°C to +45°C |

10w SARI Up/Down Wall Light

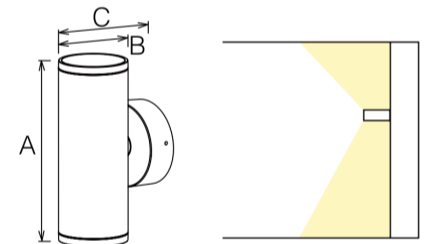
Architectural Design

| Model | Wattage | Rebate | Lumens | Colour | Warranty |
|----------|---------|--------|--------|--------|----------|
| LPSWL10w | 10w | No | 900 | 4,000k | 3 Years |



Features & Benefits

- Easy and quick installation
- Integrated driver
- IP65 rated for indoor/outdoor applications
- Backed by a 3 year warranty period
- SAA Approved
- Up / Down light throw
- Sleek architectural design
- 4000k CCT (Other colors available via backorder)
- CRI >80
- Aluminum housing offering excellent thermal management.



Dimensions & Weight

| Model | A - Height | B - Diameter | C - Depth | Dimmable | Net Weight |
|----------|------------|--------------|-----------|----------|------------|
| LPSWL10w | 170mm | 60mm | 105mm | No | 0.60kg |

Technical Specifications



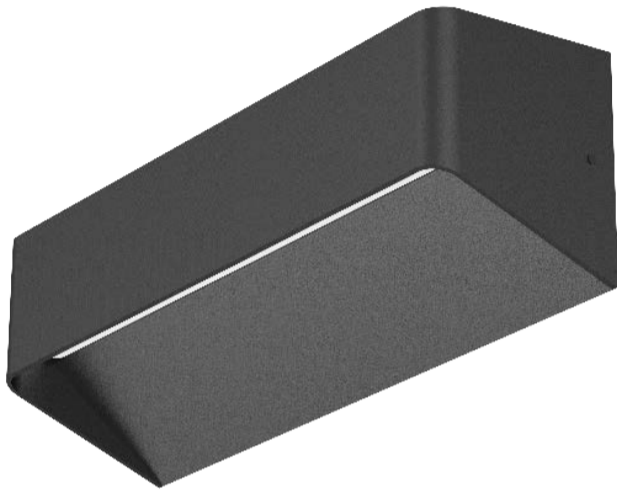
| | | | | | |
|-----------------------|----------------|----------------------|---------------------------|------------------|-------------------------------|
| Voltage AC100-240V | Wattage 10w | Power Factor >0.9 | Beam Angle 60° Up/Down | Colour 4,000k | Life Cycle 40,000 Hrs |
| IP Rating IP65 | VEET/ESS No | CRI >80 | Housing PC Aluminum | Dimmable No | Heat Rating -20°C to +40°C |

10w ARC Up/Down Wall Light

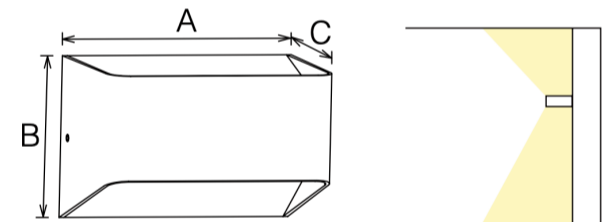
Architectural Design

| Model | Wattage | Rebate | Lumens | Colour | Warranty |
|----------|---------|--------|--------|--------|----------|
| LPAWL10w | 10w | No | 500 | 4,000k | 3 Years |

Features & Benefits



- Easy and quick installation
- Integrated driver
- IP54 rated for indoor/outdoor applications
- Backed by a 3 year warranty period
- SAA Approved
- Up / Down light throw
- Sleek architectural design
- 4,000k CCT (Other colors available via backorder)
- CRI >80
- Aluminum housing offering excellent thermal management.



Dimensions & Weight

| Model | A - Length | B - Diameter | C - Depth | Dimmable | Net Weight |
|----------|------------|--------------|-----------|----------|------------|
| LPAWL10w | 150mm | 100mm | 92mm | No | 0.54kg |

Technical Specifications



| | | | | | |
|-----------------------|----------------|----------------------|----------------------------|------------------|-------------------------------|
| Voltage AC220-240V | Wattage 10w | Power Factor >0.9 | Beam Angle 100° Up/Down | Colour 4,000k | Life Cycle 40,000 Hrs |
| IP Rating IP54 | VEET/ESS No | CRI >80 | Housing PC Aluminum | Dimmable No | Heat Rating -20°C to +40°C |

MECA CAN Lights

Surface Mount & Tri-colour

| Model | Wattage | Type | VEET/IPART | Lumens | Colour | Warranty |
|----------|---------|---------|------------|---------------|----------------|----------|
| LPMCL13w | 13w | Surface | No | 1,100 - 1,300 | TRI - 3/4/5.7k | 3 Years |
| LPMCL25w | 25w | Surface | No | 2,280 - 2,600 | TRI - 3/4/5.7k | 3 Years |



Features & Benefits

- Easy to install
- 2 different sizes
- TRI-Colour
- 3 year warranty period
- SAA Approved
- IP54 Rated
- Intergrated driver
- Architectural design
- Surface mounted
- Finish - White powder-coating



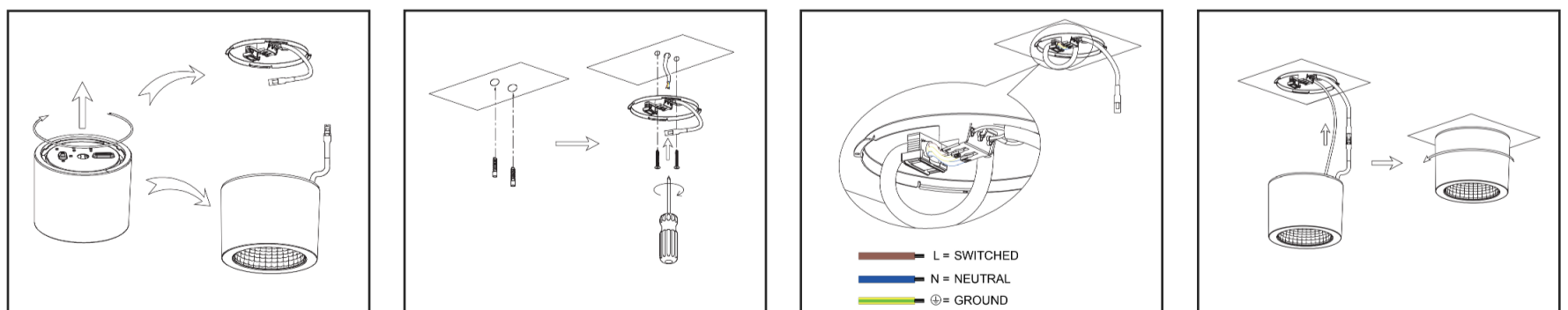
Dimensions & Weight

| Model | Diameter | Height | Dimmable | Net Weight |
|----------|----------|--------|----------|------------|
| LPMCA13w | 143mm | 112mm | NO | 0.39kg |
| LPMCL25w | 213mm | 129mm | NO | 0.80kg |

Technical Specifications

| | | | | | |
|-------------------------|-------------------------------|----------------------|-------------------|---------------------------|-------------------------------|
| Voltage AC110-277VAC | Wattage 13w / 25w | Power Factor >0.9 | Beam Angle 90° | Mounting Surface | Life Cycle 50,000 Hrs |
| IP Rating IP54 | CCT 3,000 / 4,000 / 5,700k | CRI >80 | Diffused Yes | Dim / DALI No - Option | Heat Rating -20°c to +45°c |

Installation



MECA MINI CAN Lights

Surface Mount & Tri-colour

| Model | Wattage | Type | Finish Colour | Lumens | Colour | Warranty |
|-------------|---------|---------|---------------|-------------|----------------|----------|
| LPDL26B-10W | 10w | Surface | White | 800 - 1,100 | TRI - 3/4/5.7k | 3 Years |
| LPDL26B-10B | 10w | Surface | Black | 800 - 1,100 | TRI - 3/4/5.7k | 3 Years |



Features & Benefits

- Easy to install
- 2 different colour options
- TRI-Colour
- 3 year warranty period
- SAA Approved
- IP65 Rated
- Intergrated driver
- Architectural design
- Surface mounted
- Finish - White / Black powder-coating

Dimensions & Weight

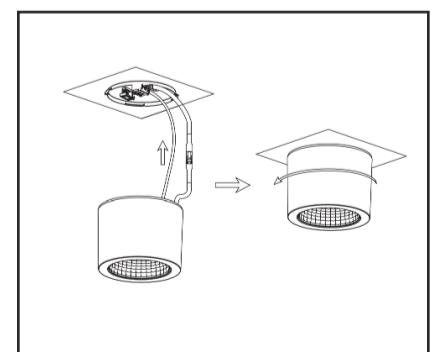
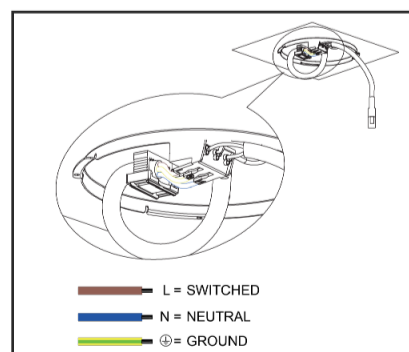
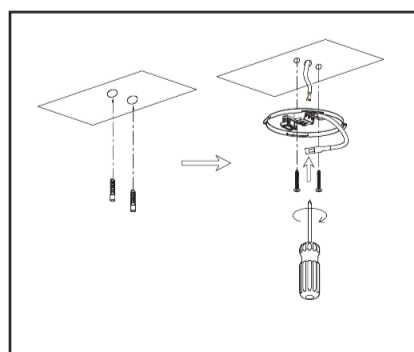
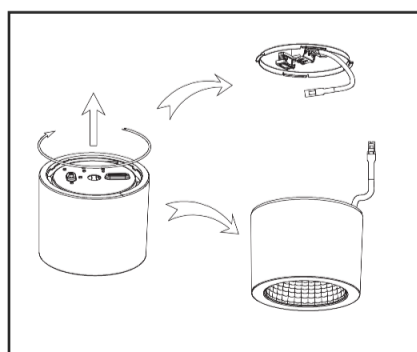


| Model | Diameter | Height | Dimmable | Net Weight |
|-------------|----------|--------|----------|------------|
| LPDL26B-10W | 90mm | 107mm | NO | 0.39kg |
| LPDL26B-10W | 90mm | 107mm | NO | 0.39kg |

Technical Specifications

| | | | | | |
|-------------------------|-------------------------------|----------------------|-------------------|---------------------------|-------------------------------|
| Voltage AC110-277VAC | Wattage 10w | Power Factor >0.9 | Beam Angle 60° | Mounting Surface | Life Cycle 50,000 Hrs |
| IP Rating IP65 | CCT 3,000 / 4,000 / 5,700k | CRI >80 | Diffused Yes | Dim / DALI No - Option | Heat Rating -20°c to +45°c |

Installation



40w Shop Light

Large Cost Savings - No Maintenance

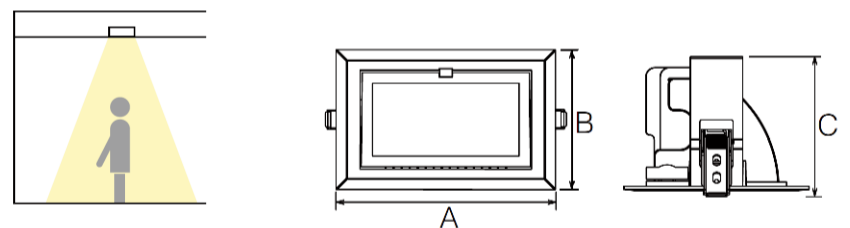
| Model | Wattage | VEET | IPART | Lumens | Colour | Warranty |
|----------|---------|------|-------|--------|--------|----------|
| LPSHL40w | 40 | No | No | 3,950 | 5,000k | 3 Years |



Features & Benefits

- Up to 80% savings
- Excellent heat dispensation
- IP20
- Plug top fitted
- Easy to install
- Dimmable
- 50,000 average life hours
- 3 year warranty
- Significant cost saving
- No Maintenance
- Robust and sturdy design
- Very easy to install
- 65° adjustable
- 90° beam angle
- SAA Certified
- SMD Chip Base

Dimensions & Weight



| Model | A- Length | B - Width | 2 - Width | Cut Out Size | Net Weight |
|----------|-----------|-----------|-----------|---------------|------------|
| LPSHL40w | 246mm | 152mm | 115mm | 225mm x 130mm | 2.30 kgs |

Technical Specifications



| | | | | | |
|--------------------------|---------------------|----------------------|-------------------|------------------|-------------------------------|
| Voltage AC200 – 240 V | Wattage 40 | Power Factor >0.9 | Beam Angle 90° | Colour 5,000K | Life Cycle 50,000 Hrs |
| IP Rating IP20 | VEET/ESS/REES No | CRI >80 | Diffused Yes | Dimmable Yes | Heat Rating -20°c to +40°c |

6w Exterior Spike Light

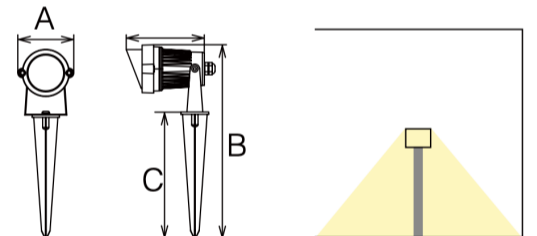
Architectural Design

| Model | Wattage | Type | Lumens | Colour | Warranty |
|-----------|---------|------------------------|--------|--------|----------|
| LPSPIKE6w | 6w | Light Fitting | 360 | 4,000k | 3 Years |
| LPMW60 | 60w | LED Driver - 7 lights | - | - | 3 Years |
| LPMW120 | 120w | LED Driver - 14 lights | - | - | 3 Years |



Features & Benefits

- Easy and quick installation
- Drivers sold separately
- 60w Driver - Up to 7 x Spike lights
- 120w Driver - Up to 14 x Spike lights
- IP65 rated for outdoor applications
- Backed by a 3 year warranty period
- SAA Approved
- 60 degree beam angle
- Architectural design
- 4,000k CCT (Other colors available via backorder)
- CRI >80
- Aluminum with anti-corrosive powder coated housing



Dimensions & Weight

| Model | A - Width | B - Height | C - Spike | Dimmable | Net Weight |
|-----------|-----------|------------|-----------|----------|------------|
| LPSPIKE6w | 72mm | 243mm | 97mm | No | 0.24kg |

Technical Specifications



| | | | | | |
|----------------------|-------------------------------|----------------------|------------------------|------------------|-------------------------------|
| Voltage AC/DC 12V | Wattage 6w - Light Fitting | Power Factor >1.0 | Beam Angle 60° | Colour 4,000k | Life Cycle 40,000 Hrs |
| IP Rating IP65 | VEET/ESS No | CRI >80 | Housing PC Aluminum | Dimmable No | Heat Rating -20°C to +40°C |

8w STAR LED Downlight

TRI-Colour



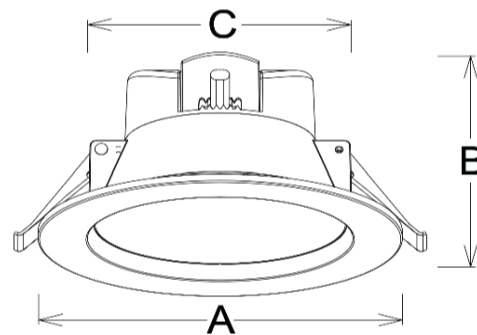
| Model | Wattage | VEET | Lumens | Colour | Warranty |
|---------|---------|------|-----------|------------|----------|
| LPDL90T | 8w | No | 650 - 750 | 3k, 4k, 5k | 3 years |



Features & Benefits

- Easy to install
- Integrated driver
- CCT Change - 3, 4 & 5k
- Dimmable with most systems
- Plug-top fitted
- Backed by a 3 year warranty period
- SAA Approved
- SMD LED with a PC diffuser
- Up to 80% savings
- IP40
- 90mm cut out

TRI-Colour Switch



Dimensions & Weight

| Model | A - Width | C - Cut Out | B - Depth | Dimmable | Net Weight |
|---------|-----------|-------------|-----------|----------|------------|
| LPDL90T | 115mm | 86.5mm | 61mm | YES | 0.25kg |

Technical Specifications

| | | | | | |
|-----------------------|----------------|----------------------|-------------------|------------------|-------------------------------|
| Voltage AC200-240V | Wattage 8w | Power Factor >0.9 | Beam Angle 90° | Colour 3/4/5k | Life Cycle 40,000 Hrs |
| IP Rating IP40 | VEET/ESS No | CRI >80 | Diffused Yes | Dimmable Yes | Heat Rating -20°C to +40°C |

STAR LED Downlights

150mm | 180mm

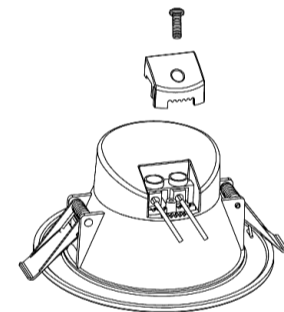


| Model | Wattage | VEET | IPART | Lumens | Colour | Warranty |
|-----------|---------|----------|----------|--------|--------|----------|
| LPDL1503k | 16 | Approved | Approved | 1,585 | 3,000k | 3 years |
| LPDL1504k | 16 | Approved | Approved | 1,613 | 4,000k | 3 years |
| LPDL1505k | 16 | Approved | Approved | 1,630 | 5,000k | 3 years |
| LPDL1803k | 20 | Approved | Approved | 1,930 | 3,000k | 3 years |
| LPDL1804k | 20 | Approved | Approved | 2,030 | 4,000k | 3 years |
| LPDL1805k | 20 | Approved | Approved | 1,970 | 5,000k | 3 years |



Features & Benefits

- Easy to install
- Integrated driver
- Dimmable with most systems
- Plug-top fitted
- Backed by a 3 year warranty period
- SAA Approved
- SMD LED with a PMMA diffuser
- Up to 80% savings
- IP54 Front face (Installed)
- 150mm cut out
- 180mm cut out
- IC - 4 Rated



Dimensions & Weight

| Model | Width | Cut Out | Net Weight |
|-----------|-------|---------|------------|
| LPDL1503k | 190mm | 150mm | 0.5kg |
| LPDL1504k | 190mm | 150mm | 0.5kg |
| LPDL1505k | 190mm | 150mm | 0.5kg |
| LPDL1803k | 225mm | 180mm | 0.6kg |
| LPDL1804k | 225mm | 180mm | 0.6kg |
| LPDL1805k | 225mm | 180mm | 0.6kg |

Technical Specifications

| | | | | |
|-----------------------------|---------------|------------|---------------------|----------------|
| Voltage | Wattage | Beam Angle | Colour | Life Cycle |
| AC220/240V | 16w / 20w | 90° | 3,000-4,000k-5,000k | 50,000 Hrs |
| IP Rating | VEET/ESS/REES | Diffused | Dimmable | Heat Rating |
| IP54 Front face (Installed) | Approved | Yes | Yes | -20°c to +40°c |

Universal Ceiling Lights

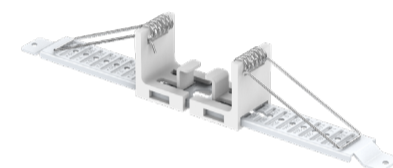
TRI Colour / TRI Wattage

| Model | Wattage | Type | VEET | Lumens | Colour | Warranty |
|--------|---------------------|--------|------|--------|-----------------|----------|
| LPUCLS | TRI: 10 // 13 / 16w | Square | No | 1,600 | TRI: 3k, 4k, 5k | 3 years |
| LPUCLR | TRI: 10 // 13 / 16w | Round | No | 2,050 | TRI: 3k, 4k, 5k | 3 years |

TRI-COLOUR
3K-4K-5K

Features & Benefits

- TRI Colour
- TRI Wattage
- Integrated driver
- 3 year warranty period
- SAA Approved
- Up to 80% savings
- IP20 rated
- Square & Round options
- TRI Colour
- High lumen output
- Great replacement for most surface and recessed downlights



Universal Mounting Option
Surface & Adaptable Cut-out
Filled: 65mm - 205mm



Dimensions & Weight

| Model | Diameter / Width | Depth | Dimmable | Net Weight |
|--------|------------------|-------|----------|------------|
| LPUCLS | 235mm | 16mm | NO | 0.55kg |
| LPUCLR | 235mm (Dia) | 16mm | NO | 0.40kg |

Technical Specifications

| | | | | | |
|----------------------|-------------------------------|----------------------|--------------------|-----------------------|-------------------------------|
| Voltage AC85-265V | Wattage TRI: 10 / 13 / 16w | Power Factor >0.9 | Beam Angle 120° | Colour TRI: 3,4,5k | Life Cycle 40,000 Hrs |
| IP Rating I20 | VEET/ESS No | CRI >80 | Diffused Yes | Dimmable No | Heat Rating -20°C to +45°C |

STAR Ceiling Panel Lights

TRI Colour - 24w



| Model | Wattage | VEET | Lumens | Colour | Warranty |
|---------|---------|------|--------|------------|----------|
| LPSP330 | 24w | No | 2,050 | 3k, 4k, 5k | 3 years |

TRI-COLOUR
3K-4K-5K



Features & Benefits

- Easy to install
- Integrated driver
- 3 year warranty period
- SAA Approved
- Up to 80% savings
- IP44 rated
- TRI Colour
- High lumen output
- Great replacement for bulky oyster fittings



TRI Switch Control
3K - 4K - 5K

Dimensions & Weight

| Model | Diameter | Depth | Dimmable | Net Weight |
|---------|----------|--------|----------|------------|
| LPSP330 | 330mm | 18.8mm | NO | 0.83kg |

Technical Specifications

| | | | | | |
|-----------------------|---------------------|----------------------|--------------------|------------------------|-------------------------------|
| Voltage AC120-240V | Wattage 18 - 24w | Power Factor >0.9 | Beam Angle 120° | Colour TRI - 3,4,5k | Life Cycle 40,000 Hrs |
| IP Rating IP44 | VEET/ESS No | CRI >80 | Diffused Yes | Dimmable No | Heat Rating -20°C to +45°C |

3w Emergency Spit Fire

Recessed and Surface Mount

| Model | Wattage | Classification | Recessed | Lumens | Cut-Out | Warranty |
|----------|---------|----------------|----------|--------|-------------|----------|
| LPEMSF | 3w | D63 | Yes | 280 | 40mm / 80mm | 3 years |
| LPEMSF-S | 3w | D63 | No | 280 | Surface | 3 years |



Features & Benefits

- Easy to install
- Lead and plug top fitted
- LiFePO4 Battery
- High quality LED driver
- 240 Lumens
- 3 hour battery back up
- 3 year warranty period
- SAA Approved
- 40mm & 80mm cut outs
- IP20 Rated
- Intergrated self test button
- 2 x lense optics included - Round & Oval
- Recessed & Surface options



Surface Mount Unit
LPEMGSF-S

Dimensions & Weight



| Model | Diameter | Depth | Dimmable | Net Weight |
|----------|--------------|-------|----------|------------|
| LPEMSF | 55mm / 140mm | 30mm | NO | 0.18kg |
| LPEMSF-S | 148 x 148mm | 33mm | NO | 0.35kg |

| SPACING TABLE AND MOUNTING HEIGHTS – AS/NZS 2293.1:2018 (MINIMUM LIGHT LEVEL OF 0.2 LUX) | | | | | | | | | | | | | | |
|--|------|------|------|------|------|------|------|------|------|------|------|------|------|-------|
| Classification | 2.1m | 2.4m | 2.7m | 3.0m | 3.3m | 3.6m | 4.0m | 4.5m | 5.0m | 6.0m | 7.0m | 8.0m | 9.0m | 10.0m |
| D63 | 11.5 | 13.2 | 14.8 | 16.5 | 18.1 | 19.8 | 22 | 24.5 | 25.2 | 26.4 | 27.3 | 28 | 28.5 | 28.8 |
| E63 | 9 | 10.3 | 11.6 | 12.9 | 14.1 | 15 | 16.1 | 17.4 | 18.6 | 20.7 | 22.6 | 24.1 | 25.5 | 26.6 |

Technical Specifications

| | | | | | |
|-----------------------|---------------|----------------------|--------------------|---------------------------|-----------------------------|
| Voltage 200-240VAC | Wattage 3w | Power Factor >0.3 | Beam Angle 150° | Classification D63 | Life Cycle 40,000 Hrs |
| IP Rating IP20 | CCT 5,000k | CRI >80 | Diffused No | Dim / DALI No - Option | Heat Rating 0°C to +45°C |

3w Emergency Exit Standard & Blade - D24m

| Model | Wattage | Classification | Mounting | Test Mode | Warranty |
|-------------|---------|----------------|----------------|-----------|----------|
| LPEMGEX | 3w | D24m - Class 2 | Ceiling / Wall | Manual | 3 years |
| LPEMGEX-B | 3w | D24m - Class 2 | Ceiling | Manual | 3 years |
| LPEMGEX-BRK | - | Recessed Kit | Ceiling | - | 3 years |



Features & Benefits

- 24m - Class 2
- Easy to install
- AS/NZS 2293.3 compliant
- Long Life LiFePO4 Battery
- High quality LED driver
- 240 Lumen's
- 2 hour battery back up
- 3 year warranty period
- Pictogram replaceable.
- Includes three pictograms
- IP20 Rated
- Integrated self test button
- Maintained fitting
- Replaceable battery



3 x Pictograms
Included

Dimensions & Weight

| Model | Length | Width | Depth | Net Weight |
|-------------|--------|-------|-------|------------|
| LPEMGEX | 357mm | 210mm | 60mm | 1.50kg |
| LPEMGEX-B | 357mm | 210mm | 60mm | 1.50kg |
| LPEMGEX-BRK | 357mm | 210mm | 60mm | 1.50kg |

Technical Specifications



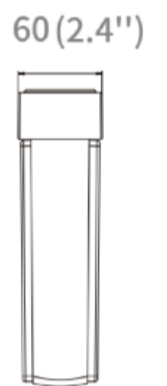
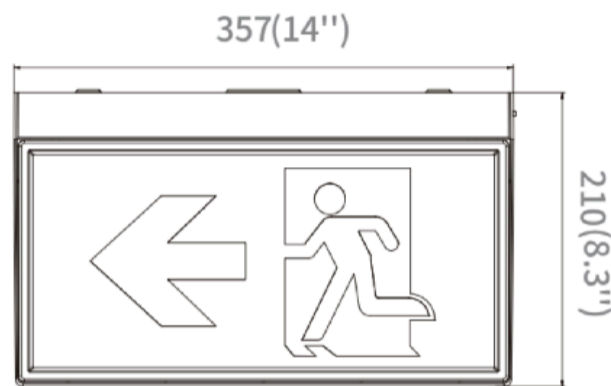
| | | | | | |
|-----------------------|-----------------------------------|----------------------|-----------------------------|---------------------------------|-----------------------------|
| Voltage 220-240VAC | Wattage - Total Load 3w(+/-5%) | Power Factor >0.3 | Test Mode Manual | Classification 24m - Class 2 | Life Cycle 45,000 Hrs |
| IP Rating IP20 | CCT 5,000k | CRI >80 | Battery Duration 2 Hours | Charge Time 15 Hours | Heat Rating 0°C to +45°C |

3w Emergency Exit

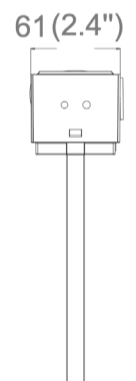
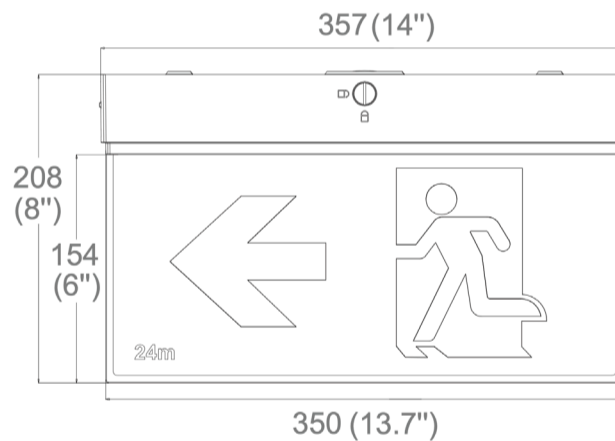
Standard & Blade - 24m



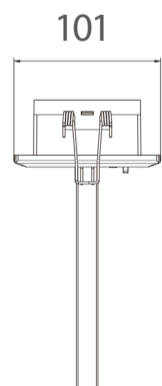
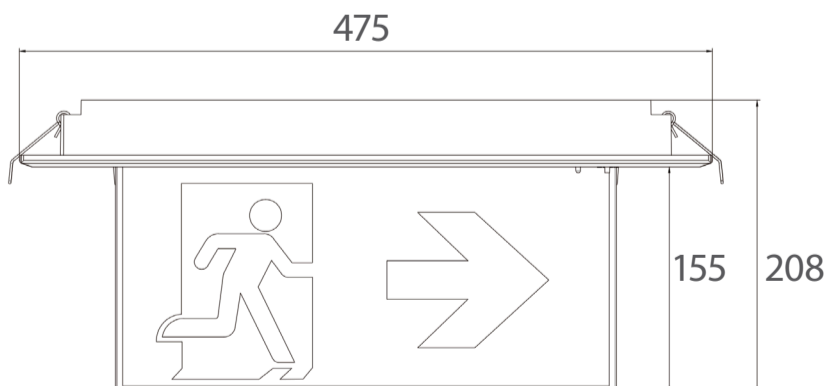
LPEMGEX



LPEMGEX-B



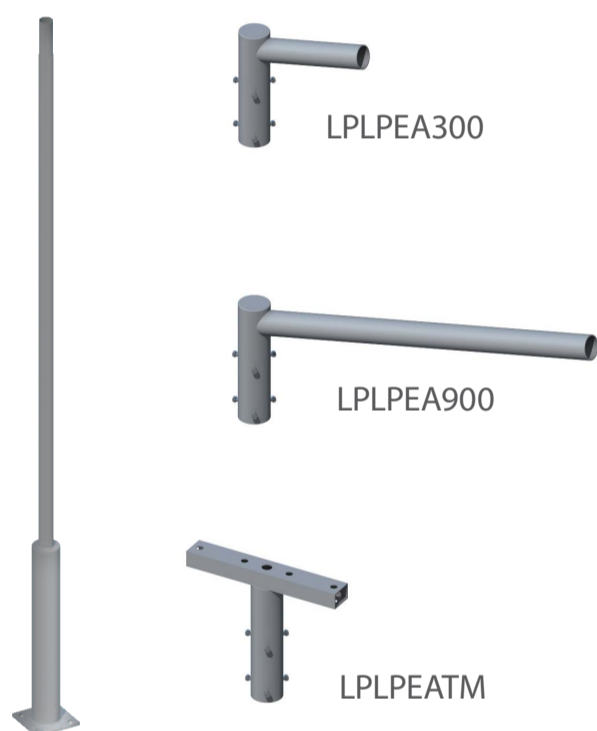
LPEMGEX-BRK



Light Poles - 4m & 5.7m

Cost Effective / High Quality

| Model | Height | Type | Out Reach | Powder Coating | Warranty |
|-----------|-----------|-------------|---------------|-----------------|----------|
| LPLP4M | 4 Meters | Pole | - | Yes - RAL: 7001 | 3 Years |
| LPLP57M | 5.7 Meter | Pole | - | Yes - RAL: 7001 | 3 Years |
| LPLPRB | - | Rag Bolts | - | Galvanized | 3 Years |
| LPLPEA300 | - | Arm Adaptor | 300 mm | Yes - RAL: 7001 | 3 Years |
| LPLPEA900 | - | Arm Adaptor | 900 mm | Yes - RAL: 7001 | 3 Years |
| LPLPEATM | - | Arm Adaptor | Flat Trunnion | Yes - RAL: 7001 | 3 Years |



Features & Benefits

- 4m & 5.7m heights available
- Rag Bolts sold separately
- Easy to install
- 3 Year warranty
- Light weight
- Engineering compliance
- For ZEUS installation a pole top must be selected
- Poles suit both ZEUS 2 and THOR fittings. Thor fittings are a slightly darker grey.
- Pole Thickness at >85um
- NOT for coastal environments
- Footing pad engineering compliance conducted by the purchaser.
- Powder coated the same as the ZEUS 2 fittings

Dimensions & Weight

| Model | Height / Length | Width Lower | Diameter Top | Net Weight |
|-----------|-----------------|-------------|--------------|------------|
| LPLP4M | 4 Meter | 140mm | 68mm | 35 kg's |
| LPLP57M | 5.7 Meter | 140mm | 68mm | 46 kg's |
| LPLPRB | 450 mm | - | - | - |
| LPLPEA300 | 300 mm | - | 60mm | 3 kg's |
| LPLPEA900 | 900 mm | - | 60mm | 4.5 kg's |
| LPLPEATM | 400 mm | - | - | 3 kg's |

LEDMate Tall Work Lights



Essential For The Trade

| Model | Wattage | Battery | Run-Time | Lumens | Colour | Warranty |
|-----------|---------|---------|-------------------|--------|--------|----------|
| LPLMTWL24 | 24 | Li-Ion | 4 Hours / 8 Hours | 2,800 | 5,000k | 2 Years |
| LPLMTWL50 | 50 | Li-Ion | 4 Hours / 8 Hours | 5,000 | 5,000k | 2 Years |



Features & Benefits

- Long Life Li-ion battery
- 2 x different sizes available
- Made from ABS & Aluminum
- 100% and 50% function
- 100 lumen per wat
- 5 - 6 hour charge time
- 4 hour run time of 100%
- 8 hour run time on 50%
- Light weight and very easy to maneuverer
- A must have work light for the trade
- IK08 Rated
- IP65 Rated
- Backed by a 2 year warranty period
- Carry handle for
- Carry bag included

LEDMate[®]



Dimensions & Weight

| Model | Height | Width Closed | Width Open | Net Weight |
|-----------|--------|--------------|------------|------------|
| LPLMTWL24 | 1010mm | 200mm | 890mm | 6.40kg |
| LPLMTWL50 | 1510mm | 200mm | 890mm | 8.00kg |

Technical Specifications

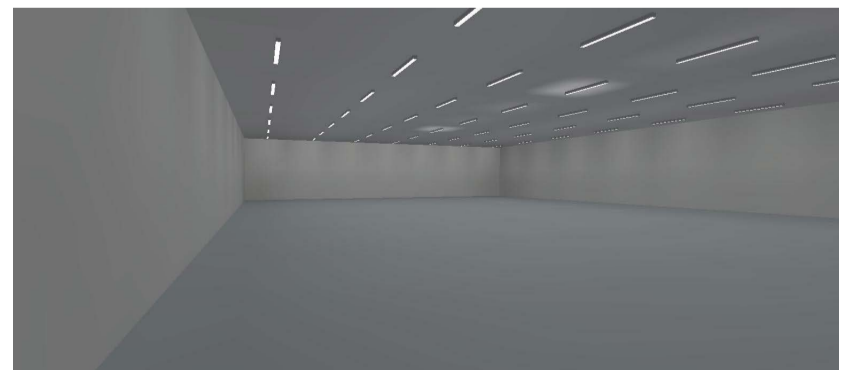
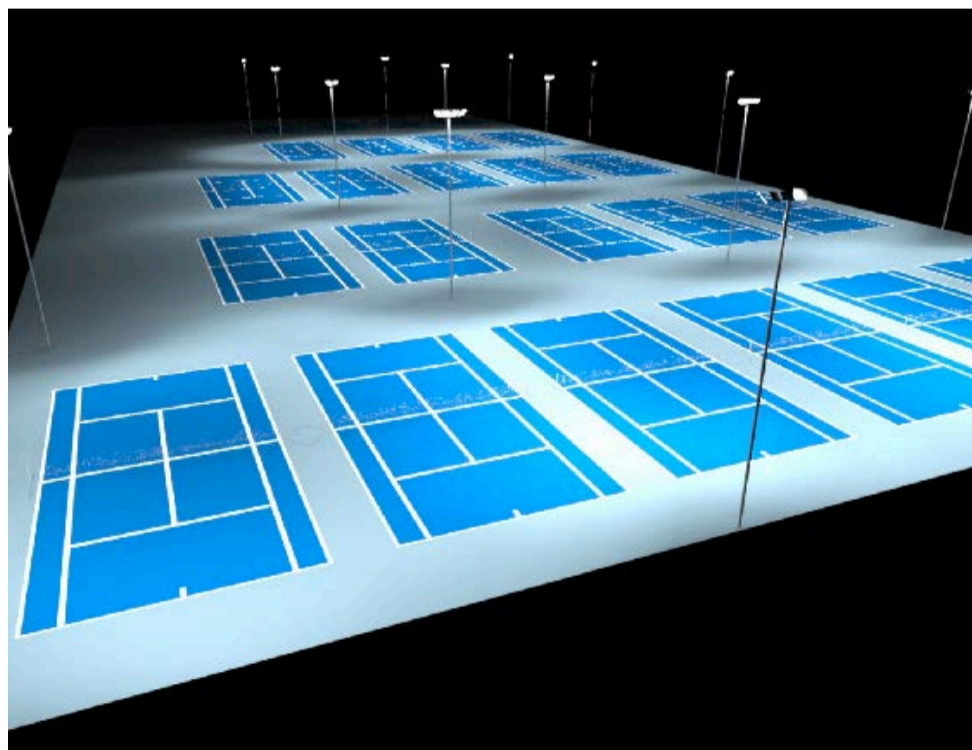
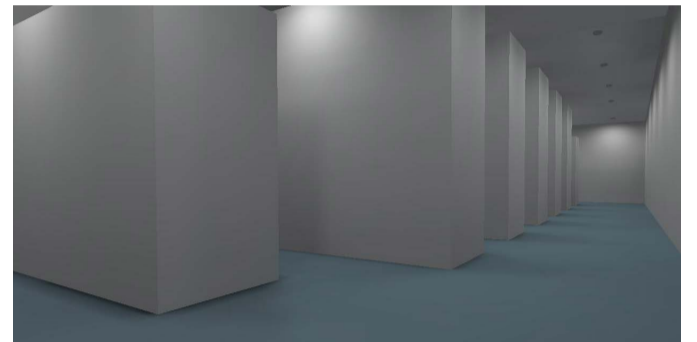
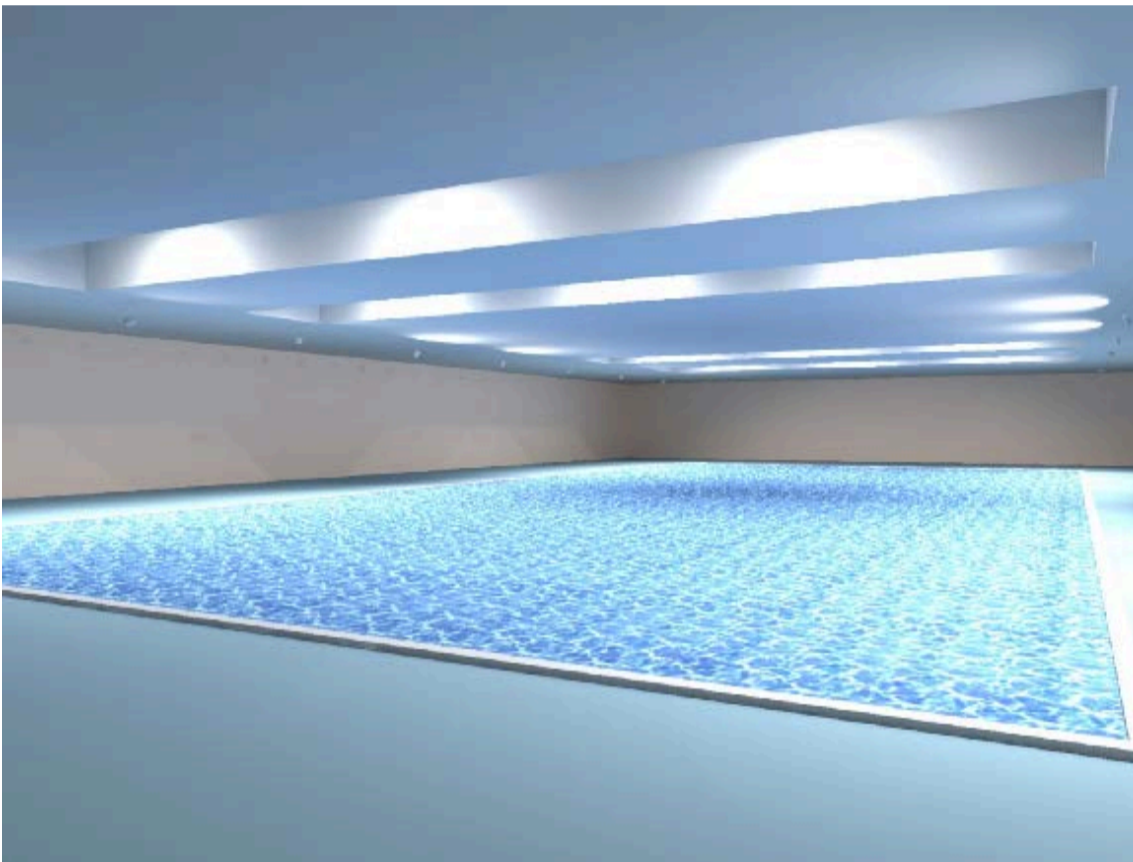
| | | | | | |
|-------------------------------|-------------------------------------|----------------------------|--------------------|------------------|-------------------------------|
| Charger Voltage AC100-240V | Wattage 24w / 50w | Charge Time 5 - 6 hours | Beam Angle 360° | Colour 5,000k | Life Cycle 40,000 Hrs |
| IP Rating IP65 | Battery Type 18650 Li-ion -LLife | CRI >75 | Diffused Yes | Dimmable No | Heat Rating -20°c to +45°c |

Lighting Plots

When proposing any lighting solution, its important to ensure that what is being proposed will not only meet your clients expectations, but conform with AS/NZS lighting requirements.

Light Planet offer complimentary lighting plots and professional lighting design for both internal and external installation types.

Lighting plots are a great way to impress your customers while also offering greater assurance that what is being proposed, will tick all the boxes.



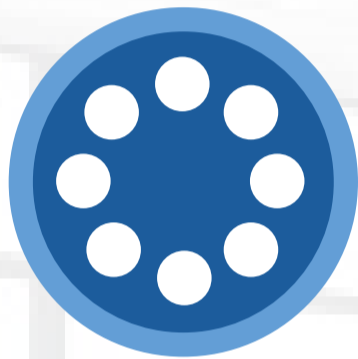
Our team are always on hand to offer advice on product choice, answer any technical questions you may have, and help plan and identify required applications for your environment. Our head office is based in Port Melbourne. Our sales and management team are happy to assist you with any lighting enquiry.

Contact us

Address: Unit 2 / 5 Rocklea Drv, Port Melbourne VIC 3207
Call us: 1300 533 489
03 8680 3820
Email: info@lightplanet.com.au
Orders: orders@lightplanet.com.au
Quotes: quotes@lightplanet.com.au
Designs: design@lightplanet.com.au
Trade Accounts: tradeacc@lightplanet.com.au



Sally Wallace
State Sales Manager - VIC
Mobile: 0429 465 725
Email: sally@lightplanet.com.au



LightPlanet

Bright technology

**LED Lighting & Electrical
Specialists**

1300 533 489 / lightplanet.com.au