

# COMET Area Flood Lights



## Advanced Area Flood Lighting

Model	Wattage	VEET	IPART	Lumens	Colour	Warranty
LPCAF300W	300	No	No	49,300	5,000k	4 Years
LPCAF400W	400	No	No	66,000	5,000k	4 Years
LPCAF500W	500	No	No	80,400	5,000k	4 Years
LPCAF600W	600	No	No	99,800	5,000k	4 Years



### Features & Benefits

- 160+ lumens per watt
- Excellent heat dispensation
- IP65
- Extruded Aluminum body
- 54,000 average life hours
- Robust and sturdy design
- 4 year warranty
- Forward through, Asymetrical beam angle ensure low spill and obtrusive light
- Available in 4 different sizes
- Excelent tennis court & area flood lighting
- 10Kv Surge Protection Included as standard



### Technical Specifications

Voltage AC100 - 277V	Wattage 300 / 400 / 500 / 600w	Power Factor 0.95	Beam Angle Specialized ASYM	Colour 5,000K	Life Cycle 54, 000+
IP Rating IP65	VEET/ESS/REES TBA	CRI >70	Diffused No	Dimmable No - Option	Heat Rating -20°c to +45°c

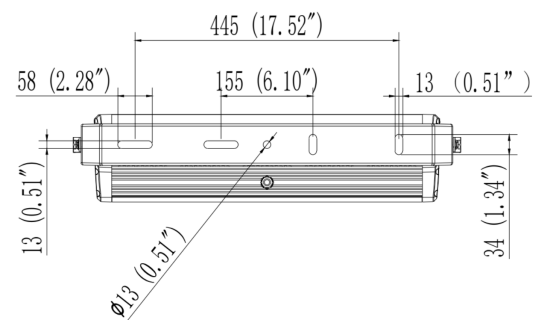
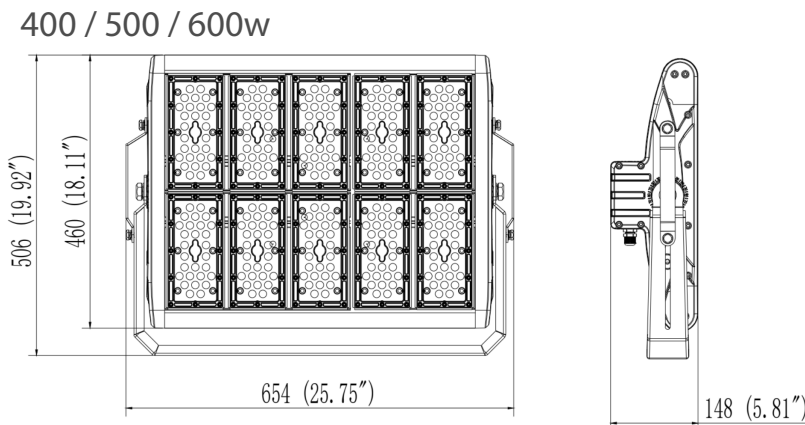
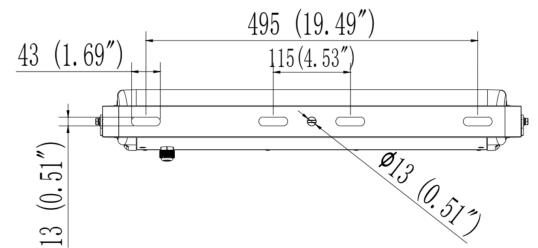
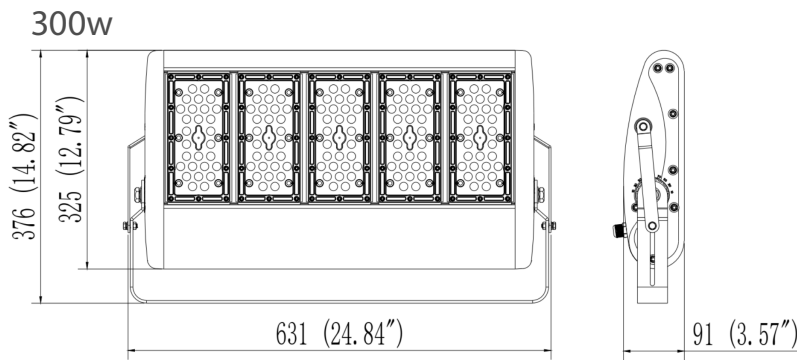
\* Please Note: Light Planet's warranty covers for defective products only. No incidentals like labor or hire cost shall be claimed from any party. Please read our T&C for further information.

# COMET Area Flood Lights



## Dimensions & Weight

Model	Height	Width	Depth	Weight
LPCAF300W	376mm	631mm	91mm	12.8 kg's
LPCAF400W	506mm	654mm	148mm	19.5 kg's
LPCAF500W	506mm	654mm	148mm	20.2 kg's
LPCAF600W	506mm	654mm	148mm	23.2 kg's



\* Please Note: Light Planet's warranty covers for defective products only. No incidentals like labor or hire cost shall be claimed from any party. Please read our T&C for further information.