

# ZEUS 2 LED Streetlights

## Market leading product



Model	Wattage	VEET	IPART	Lumens	Colour	Warranty
LPS2T30W	30	TBA	TBA	4,300	5,000k	5 years
LPS2T50W	50	TBA	TBA	6,600	5,000k	5 years
LPS2T75W	75	TBA	TBA	8,900	5,000k	5 years

For the PE-Cell version simply add: -PE to the end of the model number



### Features & Benefits

- Ultra slim light weight
- 130 - 140 lumen per watt
- Up to 80% Energy savings
- Easy to installation
- Dimmable driver
- Backed by a 5 year warranty period
- PE Cell option available - Please add -PE to the end of the model number when ordering
- Quick fix bracket included
- 30w, 50w and 75w available
- Thin entry bracket available - 42mm
- Wall bracket available
- Vertical and horizontal installation options



### Dimensions & Weight



Model	Length	Width	Spigot Connection	Net Weight
LPS2T30W / PE	435mm	200mm	50-62mm	3.80kg
LPS2T50W / PE	435mm	200mm	50-62mm	3.80kg
LPS2T75W / PE	490mm	233mm	50-62mm	6.60kg

### Technical Specifications

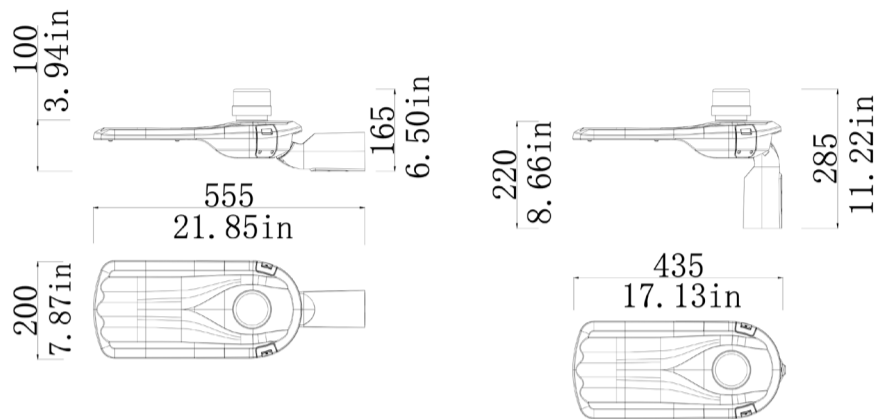
Voltage AC100-277V	Wattage 30/50/75	Power Factor >0.95	Beam Angle 140 x 60°	Colour 5,000k	Life Cycle 52,000 Hrs
IP Rating IP65	VEET/ESS/REES NO	CRI >70	Diffused Yes	Dimmable Yes	Heat Rating -30°c to +45°c

\* Please Note: Light Planet's warranty covers for defective products only. No incidentals like labor or hire cost shall be claimed from any party. Please read our T&C for further information.

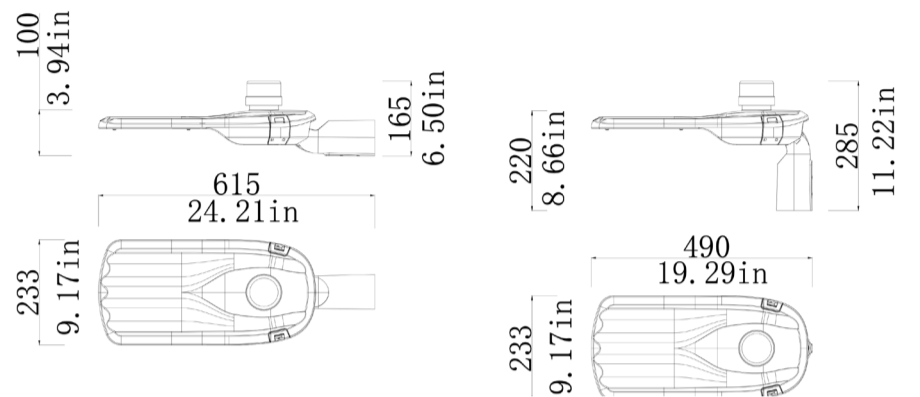
# ZEUS 2 LED Streetlights

## Dimensions & Installation Options

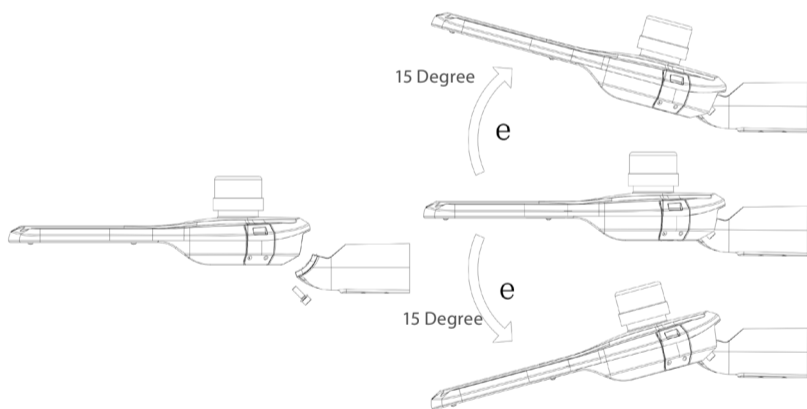
### 30 - 50w ZEUS 2



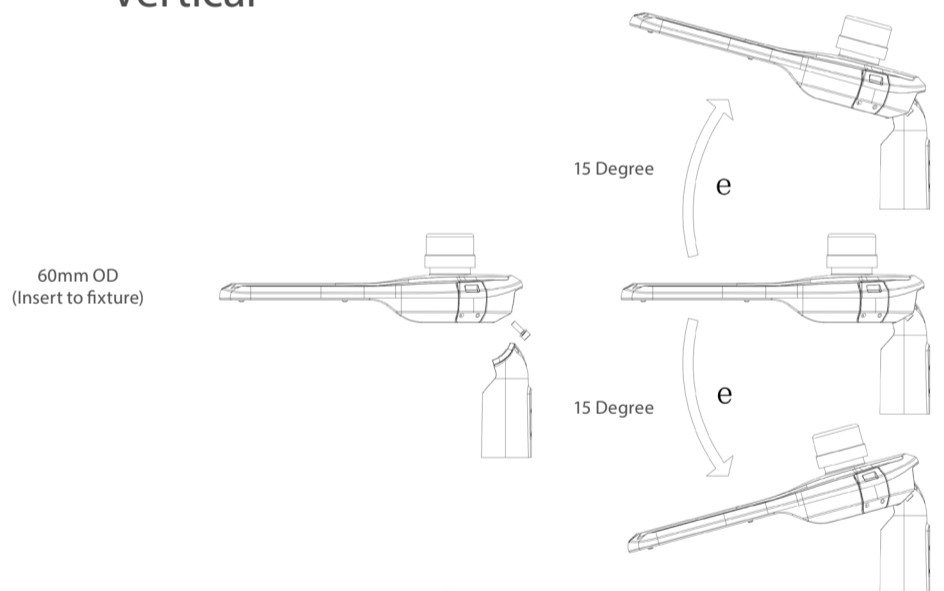
### 75w ZEUS 2



### Installation Option 1 Horizontal



### Installation Option 2 Vertical



\* Please Note: Light Planet's warranty covers for defective products only. No incidentals like labor or hire cost shall be claimed from any party. Please read our T&C for further information.